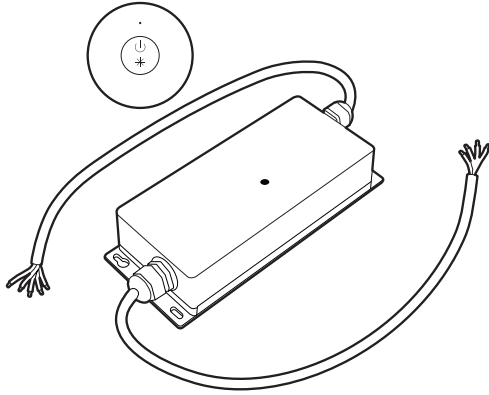


DATA SHEET

WATERPROOF WIRELESS LED DIMMER CONTROLLER/REMOTE

SKU: SA-CTRL-MICRO-DIMM-IP67

Product Description



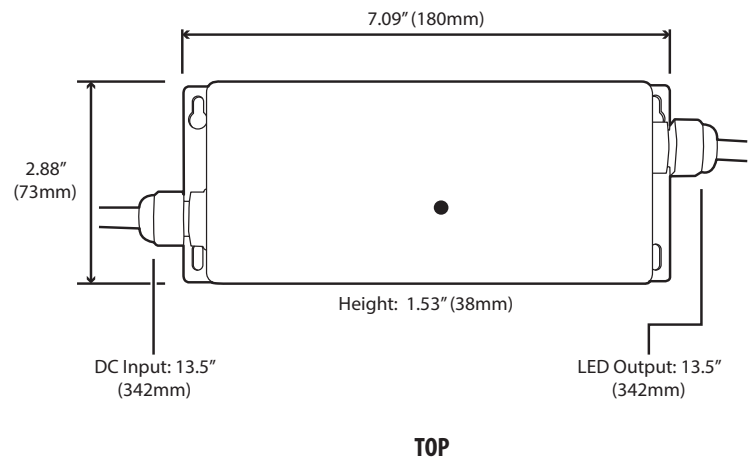
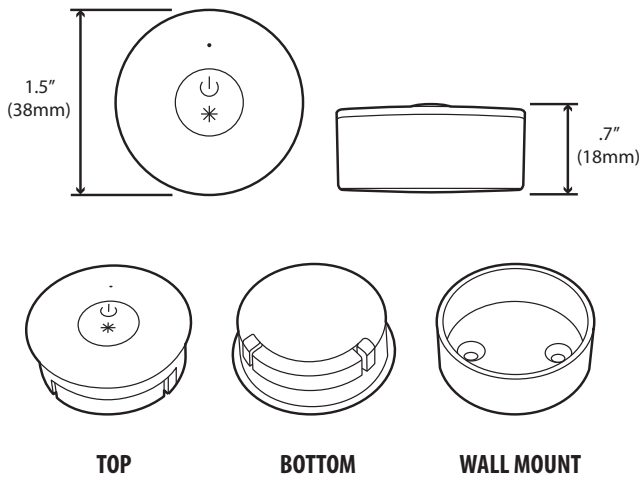
Solid Apollo's Waterproof Wireless LED Dimmer Controller/Remote is a low-profile wireless dimmer controller that is designed to give you full control of your outdoor low-voltage LED strip lights. The unit includes a wireless remote and a waterproof controller that pairs and controls the LED fixtures wirelessly within a 65 feet range. With just one central button on the remote, you can easily and fully control your low-voltage LED strip lights. A simple push of the center button (power button) turns the LED fixtures ON/OFF, and a push-and-hold of the same button increases/decreases brightness. The remote includes a magnetic back so it can be installed on metal surfaces as well. The unit is also equipped with a memory function to remember and recall the exact brightness settings before the lights were turned off. For example, if you dim the lights to 25% and later turn them off (or power goes out), they will restore the same 25% brightness setting anytime they are turned on again.

- Includes 1 x Remote and 1 x Controller for 1 Zone
- Waterproof Controller IP67 for Outdoor Installation
- Ultra-Compact Micro Wireless Remote
- Smooth Dimming 100% to 1%
- Soft ON/OFF Technology
- Memory Function to Remember Settings
- Controller Input Voltage 12V-36V DC
- Great for Controlling Outdoor Single-color LED Lights
- UL Listed
- Controller Max Power 5A per Channel 20A Total
- 480W@24VDC, 240W@12VDC

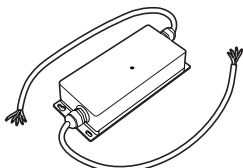
Quick Spec.

• UL Listed:	Controller: Yes	• Max Amp:	5A per Output x 4	• PWM Refresh Rate:	180hz
• Dimmable:	Yes	• Warranty:	3 Years	• Product Color:	White
• Input Voltage:	Remote: 3V CR2025 Battery Controller: 12-36VDC	• Weight:	0.85 lb	• Product Material:	High-Grade PMMA
• Max Power:	Controller: 240W@12V 480W@24VDC	• Dimensions:	Remote: 1.5"x1.5"x0.7" Controller: 7"x2.8"x1.5"	• Working Temp:	-4 - 122F
		• Control System:	PWM	• Certifications:	CE, RoHS Controller: UL Listed

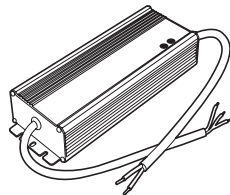
Technical Diagrams



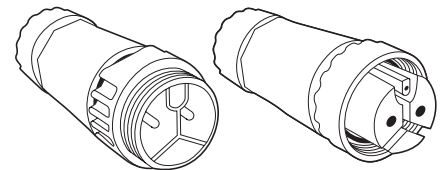
Companion Products



Spare Waterproof LED Dimmer Controller
SKU: SA-CTRL-Dimmer-IP67



Fanless Waterproof LED Power Supply 24V-13A-320W
SKU: SA-PS-24V-13.3A-320W-WP



DuoWire Outdoor Waterproof Connector
SKU: SA-LS-2-PIN-GLAND