

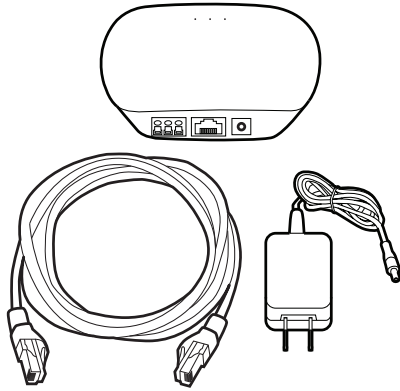
DATA SHEET

PRO-WIFI DMX 8 ZONE LED CONTROLLER WITH APP

SKU: SA-CTRL-WIFI-DMX

Product Description

Solid Apollo's new Pro-Wifi DMX 8 Zone LED Controller is a smart and powerful DMX controller that allows you to control LED fixtures through 8 zones of 4 DMX addresses over your Wi-Fi with a mobile app. The user-friendly app offers many great features that include: naming and controlling zones in your home or business, zone background image customization, defining type of lighting in each zone ie, single-color LED fixtures, color-changing LED fixtures (RGB and RGB-W), and dynamic-white or white-tunable fixtures, saving up to a total of 64 (8 per zone) different light scenes and recalling them anytime, synchronizing color-changing LED fixtures with music or voice, and the ability to control zones individually or simultaneously. Installation of Pro-Wifi DMX is simple; it connects directly to your router with a simple RJ45 cable (included) and requires absolutely no configuration. The Pro-Wifi DMX Controller also has its own optional local Wi-fi that can be used to pair and control the LED fixtures in the absence of internet Wi-fi. The Controller has three push down terminals for easily connecting data cables to DMX LED fixtures.

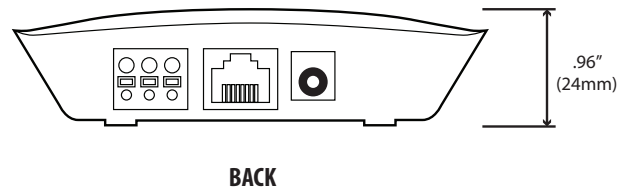
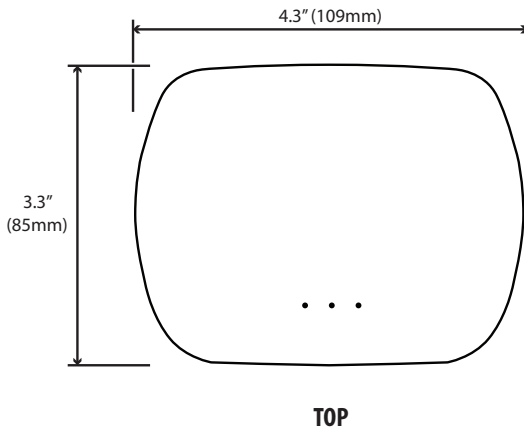


- Controls DMX LED Fixtures Through Phone App via Wi-Fi
- Includes Wi-Fi Hub and Control App
- Multiple Zone Control (Up to 8 Zones/Areas)
- Connect Unlimited Number of DMX LED Fixtures in Each Zone
- RJ45 Input Port for Easy Connection to Wi-fi Router
- Push-Down Terminals for DMX Signal Output to LED Fixtures
- Customizable and User-Friendly App Available for iOS and Android
- Plug and Play Installation
- Control Single-Color, Dynamic-White, Color-Changing (RGB and RGBW) LED Fixtures

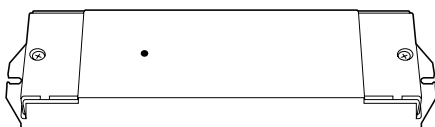
Quick Spec.

| | | |
|------------------------------------|---|---|
| • Controllable Zones: 8 | • Weight: 0.62 lb | • Product Color: White |
| • Dimmable: Yes | • Dimensions: Hub: 3.3"x4.3"x0.96" | • Product Material: High-Grade Plastic |
| • Input Voltage: Hub: 12VDC | • IP Rating: IP20 | • Working Temp: 32 - 104F |
| • Warranty: 3 Years | • Control System: DMX & Wifi 2.4G | • Certifications: CE, RoHs |

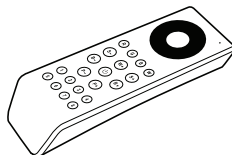
Technical Diagrams



Companion Products



SA Controller for 8 Zone LED Remote
SKU: SA-CTRL-100-RX



Remote for 8 Zone RGB-W Controller
SKU: SA-CTRL-100-TX



RGB 5050 72W
SKU: SA-LS-RGB-5050-300-24V