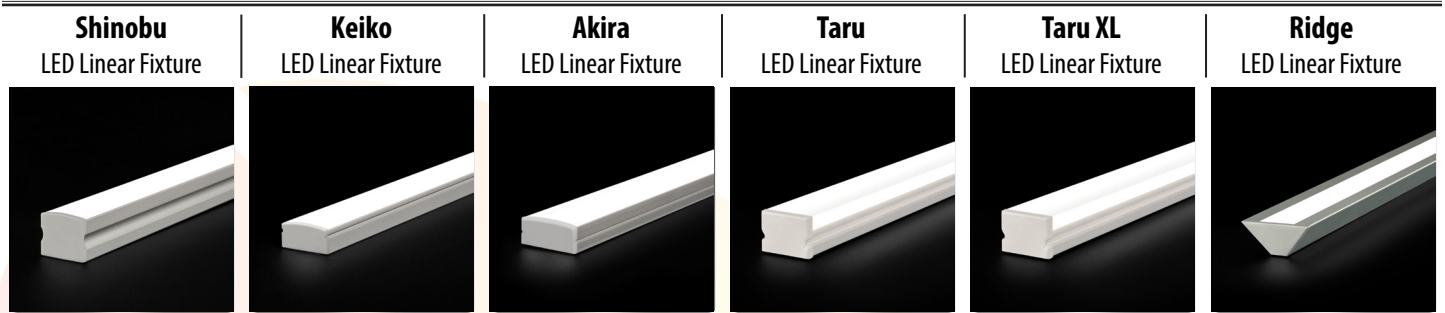
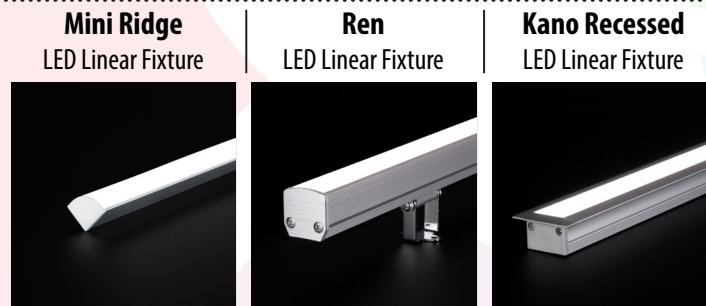
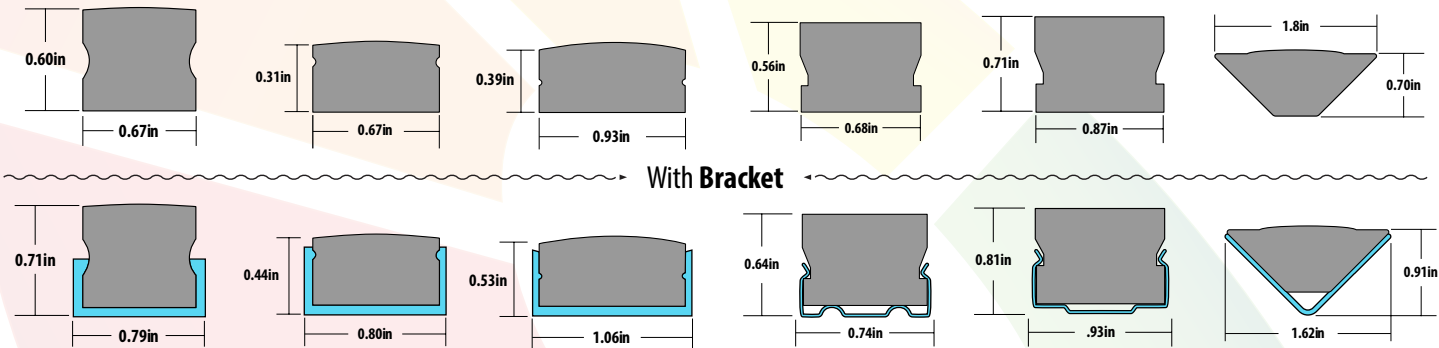


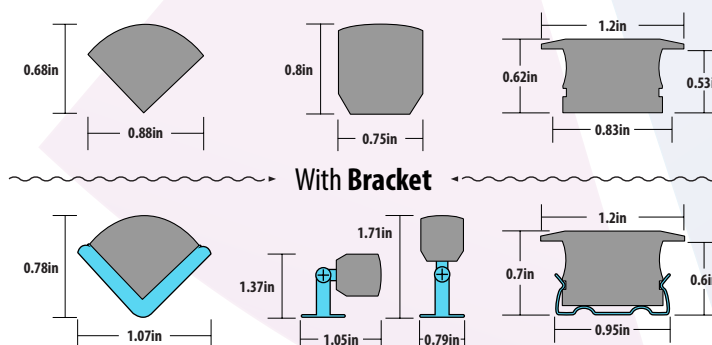
Linear LED Lighting System



Linear Fixture Dimensions



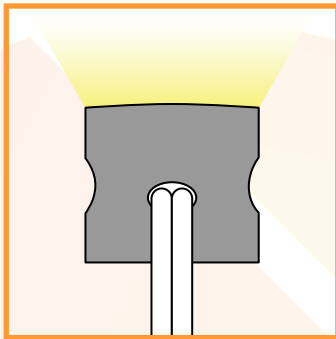
Linear Fixture Dimensions



Product Features

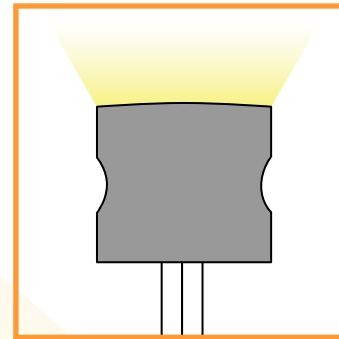
- Manufactured in the USA
- Made to Order
- Available from 6 to 78 Inch lengths (1 inch increments)
- Choose from 2400K, 2700K, 3000K, 3500K, 4000K, 5000K, and 6000K
- Up to 596 Lumens/ft
- Completely Dotless Diffusers
- Up to 20ft Continuous Runs
- Fully Dimmable
- 5 Year Warranty

Power Feed Options



End Powerfeed

Power comes through the side of the fixture.

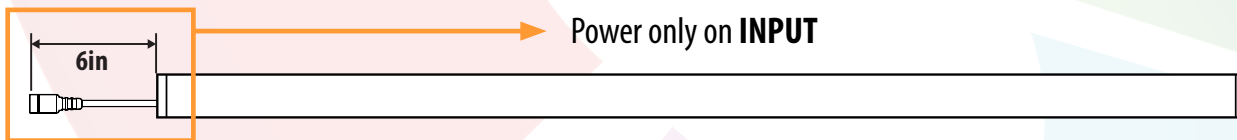


Bottom Powerfeed

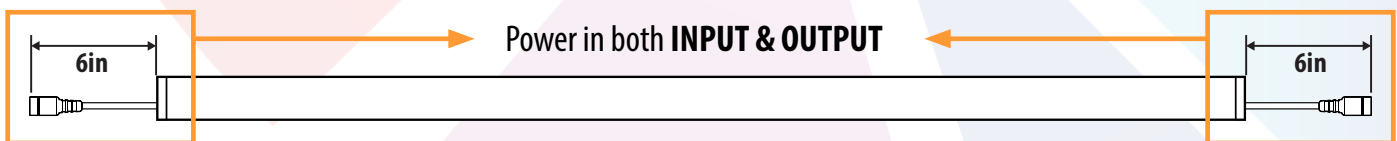
Power comes through the bottom of the fixture.

(Not available for Taru, Taru XL, Ridge, and Mini Ridge Fixtures)

Types of Input & Output Feed



Power only on **INPUT**



Power in both **INPUT & OUTPUT**

(Not available for Taru Fixtures)

Connectors & Accessories

2 Way Barrel
Power Splitter

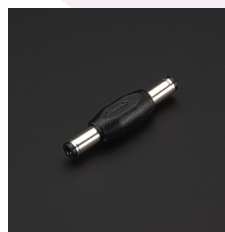
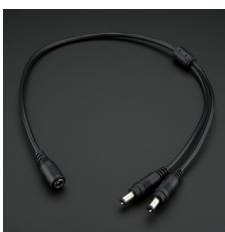
ON/OFF Switch for
LED Linear Lighting

Female/Male
Power Adapter

20in or 10ft Linear
Lighting Ext. Cable

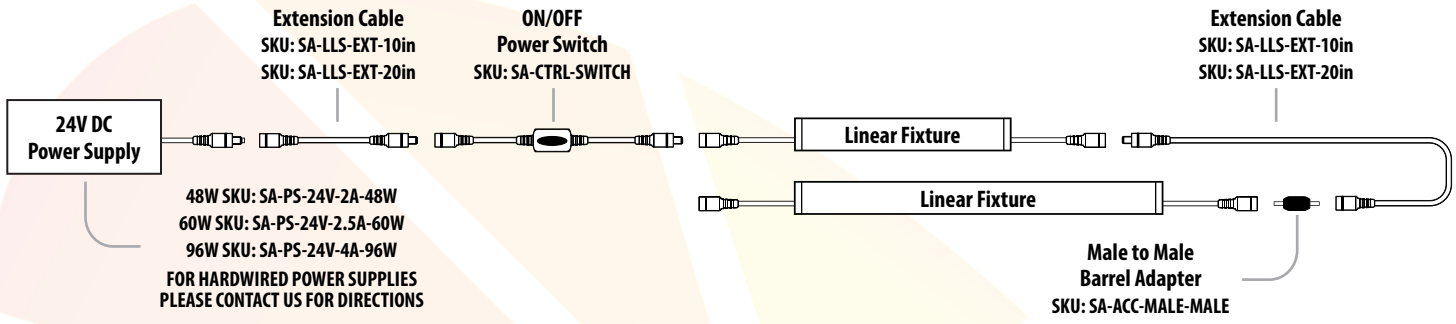
LED Power Supply
24V-DC-4A-96W

Dimmable LED Transformer
96W 24V DC

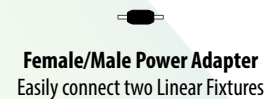
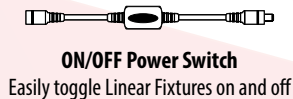


Wiring Diagram Example Layout

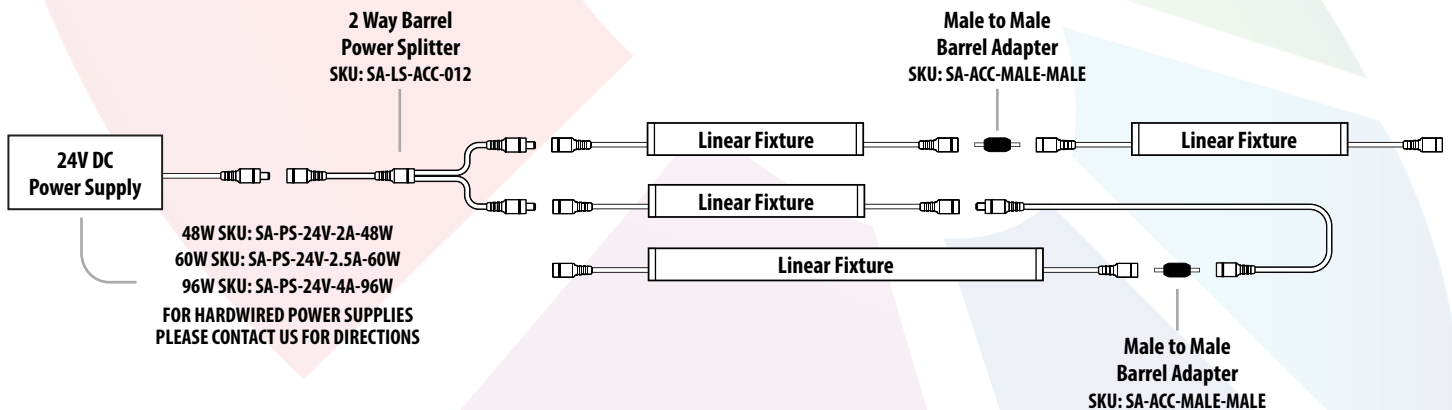
Wiring Diagram A - under 20 feet in series



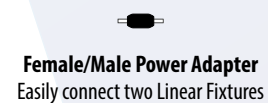
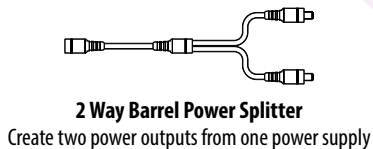
Accessories used in Wiring Diagram A



Wiring Diagram B - over 20 feet in parallel



Accessories used in Wiring Diagram B



- **DO NOT CONNECT THIS FIXTURE TO LINE VOLTAGE.** This is a **LOW VOLT** fixture. Only connect the fixture to a **24VDC POWER SUPPLY**. Connecting the fixture to line voltage will damage the fixture and void your warranty.
- **DO NOT CONNECT MORE THAN 20 FEET OF FIXTURES IN SERIES.** Additional fixtures must be wired directly from the power supply (see diagram B).
- **ONLY OPERATE WITH CLASS II POWER SUPPLIES.**

MOUNTING INSTRUCTIONS

1. Choose the surface you wish to mount your linear fixture to.
2. Using a straight edge or ruler, draw a line the same length as the fixture in the exact location where it is to be mounted.
3. Plot evenly spaced dots on the line equal to the number of included brackets. For instance, since four brackets are included with a six foot fixture, four dots would be plotted on the line (see diagram below).

BRACKET 1

BRACKET 2

BRACKET 3

BRACKET 4



4. **WARNING: Do not use an impact drill or over-tighten screws when using plastic brackets as the bracket may crack.**
 - a. Use screws or anchors appropriate for your chosen surface to attach the brackets at the marked points. If your fixture includes screws they are intended for wooden surfaces only and will not support a fixture in drywall. Take extreme caution to make sure all brackets are properly aligned.
5. Gently push the fixture into the mounted brackets to complete the installation.

Questions or concerns

If you need any assistance or troubleshooting help, please don't hesitate to contact us at 425.582.7533 or info@solidapollo.com