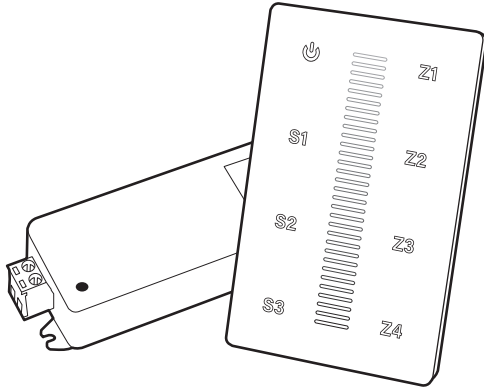


DATA SHEET

GLASSTOUCH PRO-S 4-ZONE 120V AC WIRELESS DIMMER WALL SWITCH/CONTROLLER

SKU: SA-CTRL-DIM-120V-4Z-A

Product Description



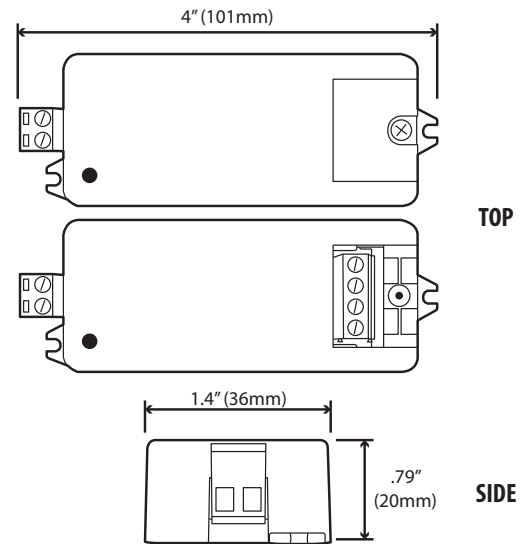
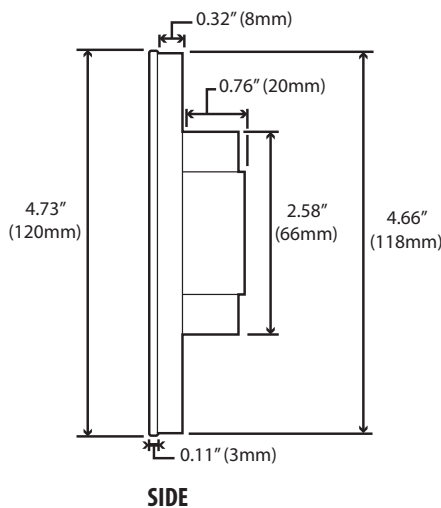
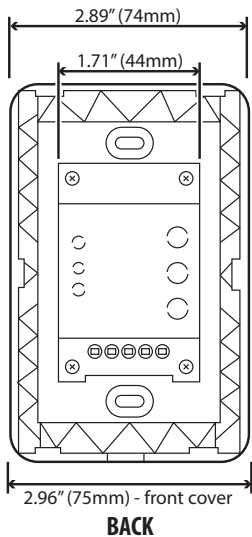
Solid Apollo brings you the perfect solution for controlling single-color LED fixtures in multiple areas. Control up to four zones or areas from one switch with Solid Apollo's GlassTouch Pro-S 4-Zone 120V AC Wireless Dimmer Wall Switch/Controller. It installs in any single gang box unit that has a live and neutral wire (required for operation) and can be directly connected to a 120V AC power line. This low-profile unit is designed with simple backlit touch controls. The subtle backlight lets you see and use the switch in the dark and the smooth glass panel makes cleaning easy. Zones can easily be assigned and controlled with the touch-sensitive control pads. The unit has clearly named zones (Z1 - Z4) for easy assignment and a middle touch-slide for brightness control. It also has three buttons on the left for saving personal brightness scenes that can be played in any zone. Built-in soft ramping technology turns LEDs on and off softly and dims in a smooth way from 100% to 10% brightness with an impressive 65ft range. It also has a memory function that remembers the settings in each zone even if power is lost.

- Operates at 100V – 240V AC
- Can be connected directly to any 120V AC line
- Save up to 3 brightness settings
- Easily installs in single gang box with L and N wires
- Comfortably control up to four zones independently
- Touch-sensitive glass panel with back lighting
- Pair an endless number of Controllers (one included)
- Impressive 65 feet wireless RF operation range
- Smooth dimming from 100%-10%
- Soft ramping on/off switch
- Memory function: Remembers previous settings if power goes off

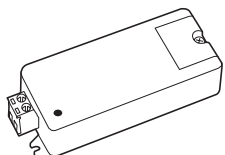
Quick Spec.

• Dimmable: Yes	• Warranty: 3 Years	• Product Material: High-Grade Plastic and Glass
• Input Voltage: Wall Switch: 100V - 240V AC Controller: 12-36VDC	• Weight: 0.6 lb	• Working Temp: 32 - 140F
• Max Power: Controller: 192W@24VDC	• Dimensions: Wall Switch: 4.7"x2.9"x1.2" Controller: 4"x1.4"x0.79"	• Certifications: CE, RoHS
• Max Amp: Wall Switch: 15mA Controller: 8A per Output	• Control System: RF Signal, Touch Sensor	
	• Product Color: White	

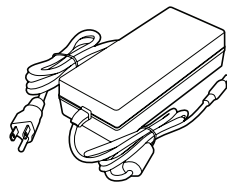
Technical Diagrams



Companion Products



8A Mini Spare LED Dimmer Controller
SKU: SA-CTRL-MINI-R-8A



LED Power Supply 24V-DC-4A-96W
SKU: SA-PS-24V-4A-96W



Candle Light Warm White Eco 3528 48W LED Strip Light 2400K
SKU: SA-LS-CLWW-3528-600-24V