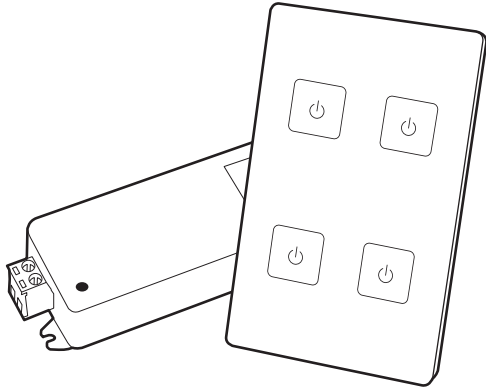


DATA SHEET

GLASSTOUCH PRO 4-ZONE 120V AC WIRELESS DIMMER WALL SWITCH/CONTROLLER

SKU: SA-CTRL-DIM-120V-4Z

Product Description



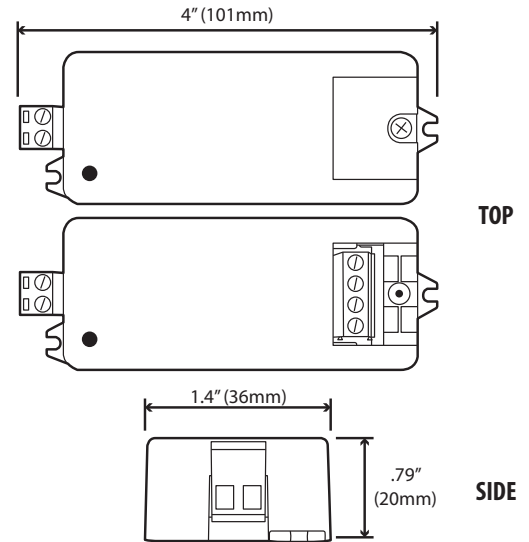
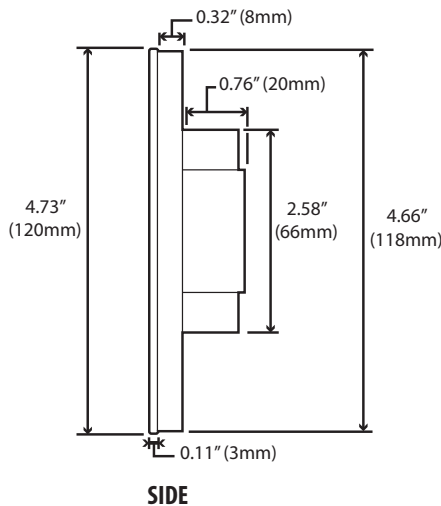
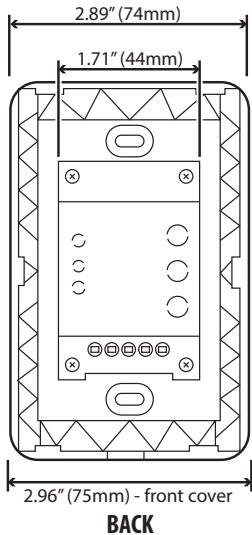
Solid Apollo brings you the perfect solution for controlling LED fixtures in multiple areas. Control up to four zones or areas independently from one switch with Solid Apollo's GlassTouch Pro 4-Zone 120V AC Wireless Dimmer Wall Switch/Controller. This unit installs in any single gang box unit that has a live and neutral wire (required for operation) and can be directly connected to a 120V AC power line. This low-profile LED Dimmer Wall Switch is designed with four simple backlit touch controls. The subtle backlight lets you see and use the wall switch in the dark and the smooth glass panel makes cleaning easy. Zones can easily be assigned and paired with unlimited controllers. The GlassTouch Pro is perfect for wirelessly controlling single-color LEDs. With built-in soft ramping technology, the GlassTouch Pro turns LEDs on and off softly and dims in a smooth way from 100% to 10% brightness with an impressive 65ft range. The GlassTouch Pro is operated in two simple ways: A single tap of any of the four touch controls turns the LED fixtures on or off in the assigned zone while a press-and-hold dims up or down the fixtures. It also has a memory function that remembers the settings in each zone even if power is lost.

- Installs into Any Standard Single Gang Box
- Easy Connection to Standard 120V AC Line Inside Any Gang Box with L and N Wires
- Comfortably Control Up to Four Independent Zones
- Pair Any Number of Controllers in Each Zone
- Wireless Control of Single-Color LED Fixtures Within 65ft
- Classic Touch-Sensitive Glass Panel for An Effortless Control
- Smooth Dimming of 100%-10% that is Pleasant to the Eyes
- Built-in Subtle Back Lighting for Easy Operation in the Dark
- Dual Controls as ON/OFF Switch and Dimmer
- Quick Wireless Pairing to Controllers with One Button
- Remembers Last Settings in Each Zone Before Power Loss

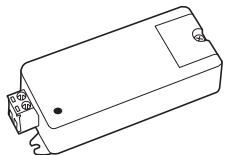
Quick Spec.

• Dimmable:	Yes	• Warranty:	3 Years	• Product Material:	High-Grade Plastic and Glass
• Input Voltage:	Wall Switch: 100V - 240V AC Controller: 12-36VDC	• Weight:	0.6 lb	• Working Temp:	32 - 140F
• Max Power:	Controller: 192W@24VDC	• Dimensions:	Wall Switch: 4.7"x2.9"x1.2" Controller: 4"x1.4"x0.79"	• Certifications:	CE, RoHS
• Max Amp:	Wall Switch: 15mA Controller: 8A per Output	• Control System:	RF Signal, Touch Sensor		
		• Product Color:	White		

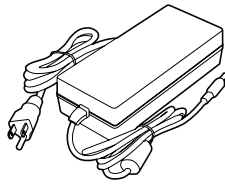
Technical Diagrams



Companion Products



8A Mini Spare LED Dimmer Controller
SKU: SA-CTRL-MINI-R-8A



LED Power Supply 24V-DC-4A-96W
SKU: SA-PS-24V-4A-96W



Candle Light Warm White Eco 3528 48W LED Strip Light 2400K
SKU: SA-LS-CLWW-3528-600-24V