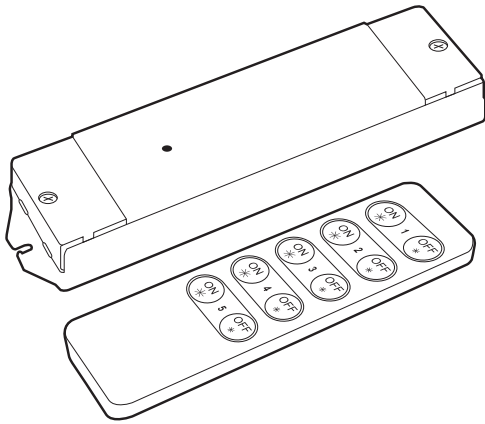


DATA SHEET

# 5 ZONE DIMMER CONTROLLER/REMOTE

SKU: SA-CTRL-002B



## Product Description

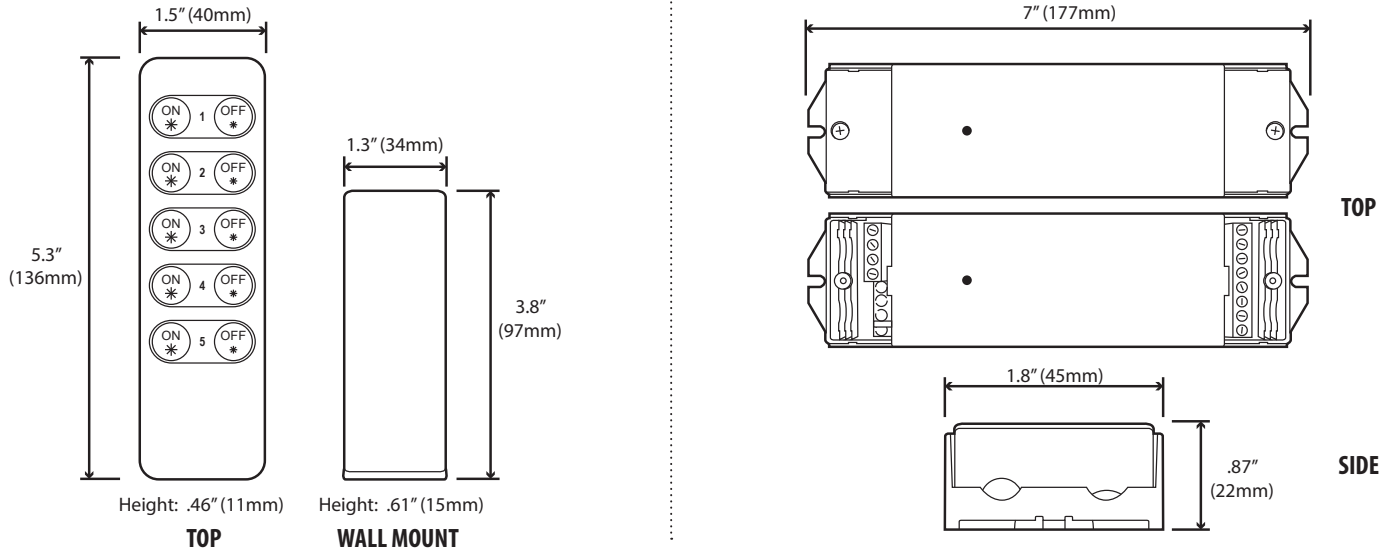
Ever wanted to be able to dim many different parts of your house or business with just one remote? Our 5 Zone Dimmer Controller/Remote does exactly that. It lets you control up to five different zones independently or in a group. This set includes one remote and one UL Listed wireless controller that will control one zone. If you wish to control more than one zone, simply add additional controllers to independently control up to 5 different zones. The remote is powered with an included battery and has two buttons for each zone, one to turn on and brighten, and one to turn off and dim. The included controller has a "learning button" allowing to you easily pair it to any of the five zones on the wireless remote. You can add as many optional controllers as you wish to create up to five zones. Each zone can have an endless number of controllers perfect for any sized job.

- UL Listed - E493882
- Battery included with remote
- Easy zone assignment
- Individual control of 5 different zones
- On/Off button for each zone
- Dim Up/Down for each zone
- 256 levels of seamless dimming
- Soft on/off control
- Intelligent channel assignment
- Memory function
- Great for installations with multiple locations

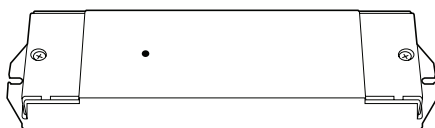
## Quick Spec.

• <b>UL Listed:</b>	Controller: UL Listed E493882	• <b>Warranty:</b>	3 Years	• <b>Product Color:</b>	Black Remote
• <b>Dimmable:</b>	Yes	• <b>Weight:</b>	0.45 lb		White Controller
• <b>Input Voltage:</b>	Remote: CR2025 Battery	• <b>Dimensions:</b>	Remote: 5.3"x1.5"x.46"	• <b>Working Temp:</b>	35 - 140F
	Controller: 12-24VDC		Controller: 7"x1.81"x0.87"	• <b>Certifications:</b>	CE, RoHs
• <b>Max Power:</b>	Controller: 240W@12VDC	• <b>IP Rating:</b>	IP33		Controller: UL Listed
	480W@24VDC	• <b>Control System:</b>	PWM 24 Bit		

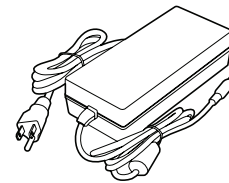
## Technical Diagrams



## Companion Products



**5 Zone LED Dimmer Controller**  
SKU: SA-CTRL-002B-R



**LED Power Supply 24V-DC-4A-96W**  
SKU: SA-PS-24V-4A-96W