

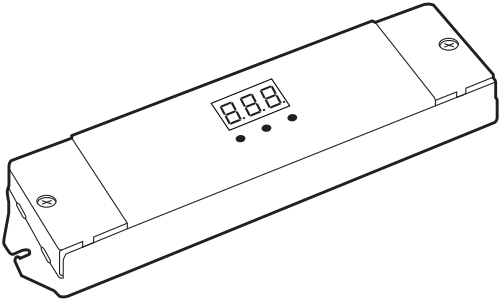
DATA SHEET

4 CHANNEL DMX-RGB-W LED DECODER

SKU: SA-CTRL-001-V2

Product Description

Solid Apollo's 4 Channel DMX-RGB-W LED Decoder is a new standard DMX to RGB-W 4 Channel DMX Interface. If you currently have a DMX512 controller or any DMX capable control unit and you need to control RGB products, like RGB LED strips, RGB lamps, etc, this is the perfect solution to convert DMX signals to RGB. This second generation decoder has a digital read-out and allows users to use as a stand-alone controller for controlling RGB LED lighting fixtures. The 4 Channel DMX-RGB-W LED Decoder works also as an RGB controller when no DMX signal is present. It includes 10 Different LED Color Changing programs when using it in stand alone mode. It is UL Listed ensuring the safety and durability for the lifetime of the receiver.

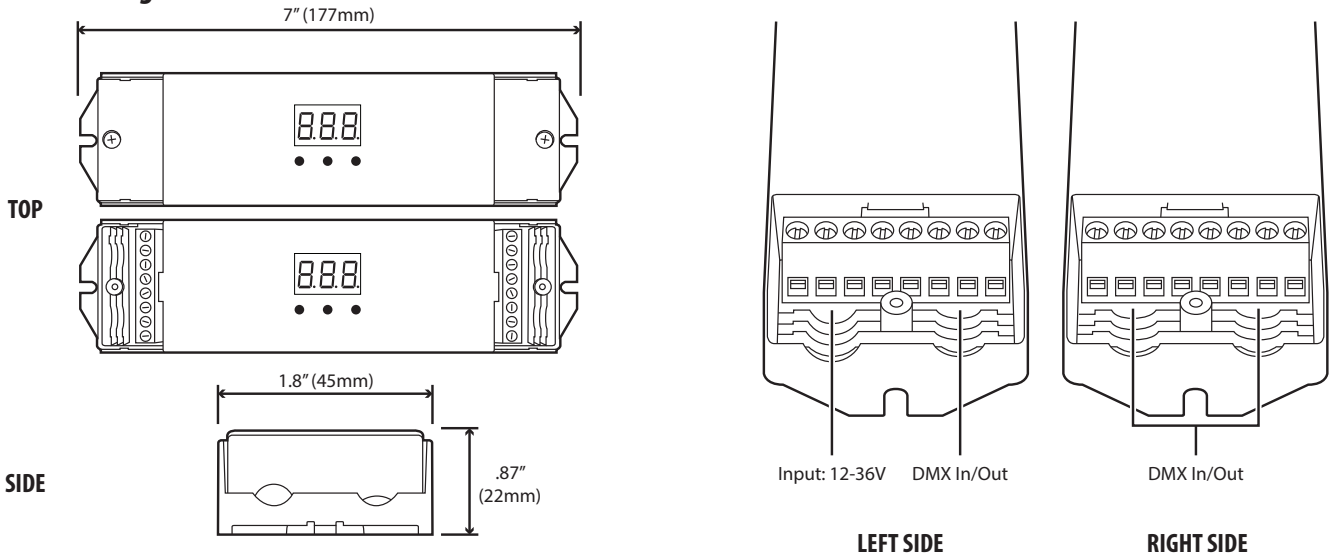


- 4 Channel and 3 Channel configuration
- Converts DMX signals to RGB-W
- Standalone function with RGB-W Programs
- Easy to use Digital Readout
- DMX512 compatible
- 360W control at 24V and 180W at 12V
- DMX Address selection LED Display
- DMX IN and OUT
- RoHS, CE certificate
- 12, 24, and 36 Volt Operation
- 3 year warranty
- UL Listed - E493882

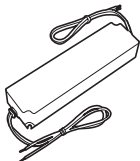
Quick Spec.

• Dimmable: Yes	• Warranty: 3 Years	• Control System: DMX512
• Input Voltage: 12-36V DC	• Weight: 0.3 lb	• Product Color: White
• Max Power: 240W@12VDC	• Dimensions: 7"x1.8"x0.87"	• Certifications: CE, RoHS, UL Listed
480W@24VDC	• IP Rating: IP55	

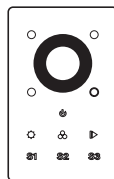
Technical Diagrams



Companion Products



Hard Wired LED Power Supply 24V-DC-100W
SKU: SA-PS-24V-4.2A-100W



Duet DMX & Wireless RGB-W In-Wall Controller
SKU: SA-CTRL-DMX-GLASS



RGB+Daylight White 5050 72W
SKU: SA-LS-RGB-DW-5050-300-24V