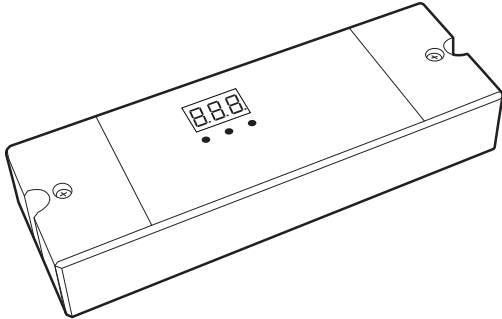


DATA SHEET
120V AC DMX TO RGB LED DECODER
SKU: SA-CTRL-DMX-120V-RGB

Product Description

Solid Apollo's 120V AC DMX to RGB LED Decoder is an advanced device that converts DMX signal to RGB. It is the perfect choice for controlling 120V LED fixtures such as Solid Apollo's RGB Flex Neon LED Strip Light and Driverless RGB LED Strip Light through DMX. This decoder has two operational modes - DMX Control and Stand Alone modes. Thanks to a built-in numeric display screen, you can easily select the operation mode and adjust the settings in each mode to suit your application. The DMX Control mode works in conjunction with any DMX control system to control RGB LED fixtures. The decoder has two DMX signal terminals for easily connecting a DMX System and daisy chaining multiple controller units. Stand alone mode is an auto program mode that enables the decoder to run preset internal programs if an external DMX control system is not available. This decoder operates at high voltage (100V - 240V AC) and does not need any transformer for powering. It can safely and directly be connected to the standard 120V AC line and it can drive up to 600W at 120V AC.

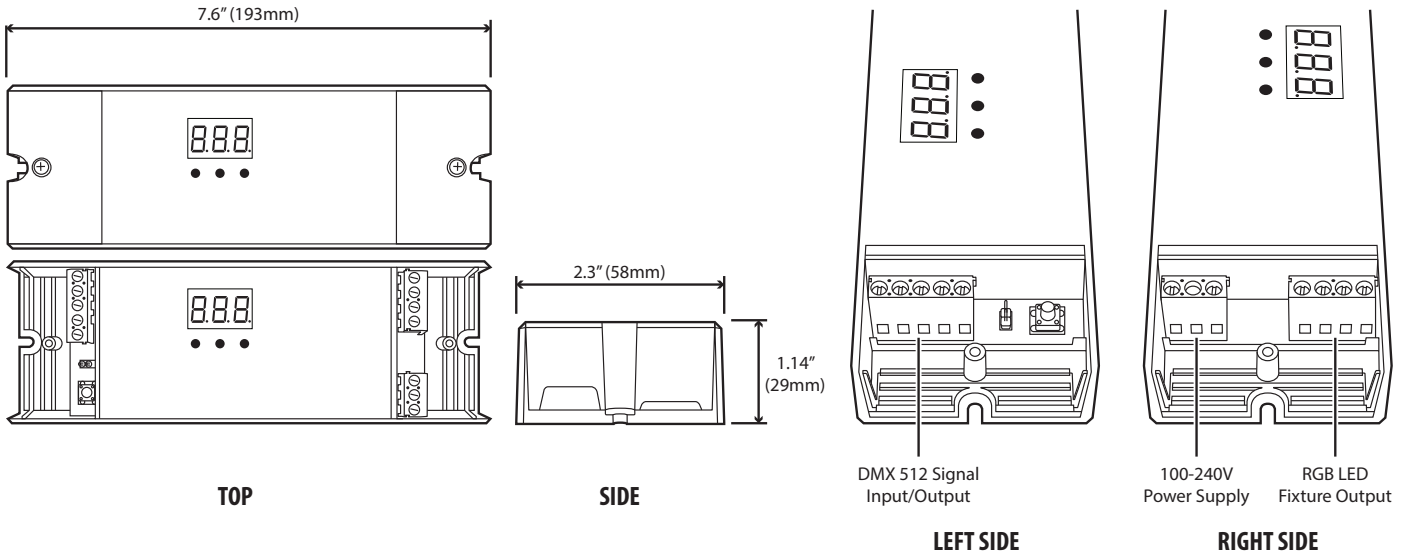


- Converts DMX Signals to RGB
- Operates at 100V to 240V AC
- Can be connected directly to any 120V AC line
- Drives up to 600W at 120V and 1200W at 240V DC
- User-friendly numeric display
- DMX in and out terminals
- DMX address settable from 1 to 512
- DMX Control Mode – works as a decoder with DMX System
- Stand Alone Mode – Controls RGB fixtures with preset internal programs

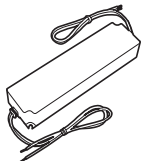
Quick Spec.

• Dimmable: Yes	• Warranty: 3 Years	• Product Color: White
• Input Voltage: 100-240V AC	• Weight: 0.4 lb	• Product Material: High-Grade Plastic
• Max Power: 600W@120VAC 1200W@240VAC	• Dimensions: 7.6"x2.3"x1.1"	• Working Temp: -4 - 122F
• Max Amp: 3 x 1.66A	• IP Rating: IP20	• Certifications: CE, RoHs
	• Control System: DMX512	

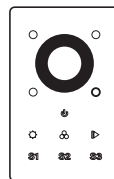
Technical Diagrams



Companion Products



Hard Wired LED Power Supply 24V-DC-100W
SKU: SA-PS-24V-4.2A-100W



Duet DMX & Wireless RGB-W In-Wall Controller
SKU: SA-CTRL-DMX-GLASS



Driverless RGB LED Strip Light 120V AC
SKU: SA-DLS-RGB