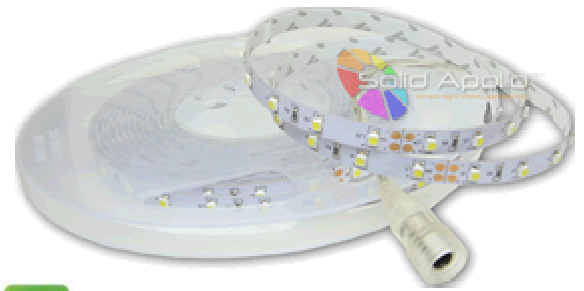




Flexible LED Strip Catalogue 2010

www.SolidApollo.com

SolidApollo (TM) A LEDSense Technologies Inc Company
16825 48th Ave W, Suite 307 Lynnwood, WA, 98037
Toll Free: 1.800.493.0423



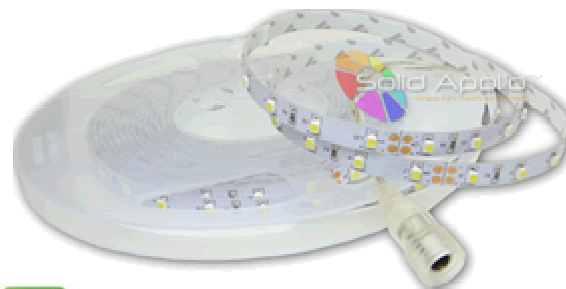
Solid Apollo Data Sheet for Flexible SMD Strips Single Color Series 24V (300 pieces)

- **SolidApollo's Flexible LED light strip** is the perfect solution to light up areas in a linear format. Thanks to its **white printed circuit board** with double sided tape, it can be easily installed. It includes a jack connector so you can light it up with any of our power supplies that include jack connector. You won't have to solder, cut cables or anything else.
- We install in each Flexible led strip, **300 surface mounted 3528 LED Chips**, that are individually picked by BIN Number in order to have a very steady color rendering in a big production line.
- SolidApollo's Flexible LED strip operates at 24V, which is an advantage, because the LED strip can operate at a lower current, which maximizes its estimated lifetime of 50,000 Hrs.
- Another advantage of SolidApollo's Flexible LED strip, is its White colored printed circuit board, which gives it a better finishing look compared to traditional LED Strips.
- There are thousands of uses for LED strip, such as:
 - - **Cove Lighting**
 - - **Under cabinet LED lighting**
 - - **Architectural LED Lighting**
 - - **Automotive LED Lighting**
 - - **RV LED Lighting**
 - - **Boat lighting**
- SolidApollo's Flexible LED strip can be cut with ordinary scissors every 10cm/4 Inches.
- **We back up this product with a 2 years warranty.**

Product Features:

- 5M /16.4'per reel
- Width of Strip: 8mm
- 300pcs 3528LED per Reel
- 6 LEDs per small Unit
- Unit length: 10cm/4 Inches
- Weight: 85g
- LED Life time: Mean time between failure (MTBF): 50K hours



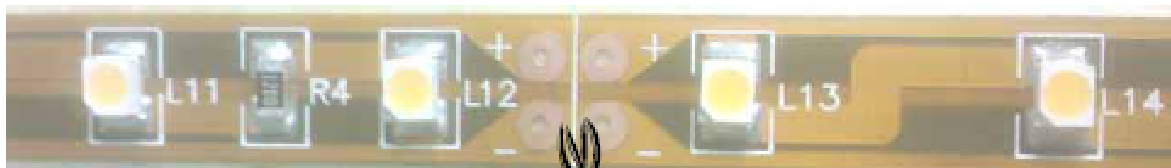


Product Information:

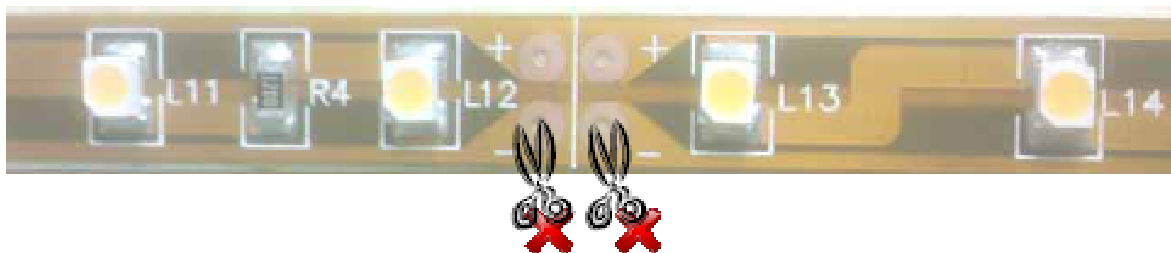
| SKU | Color | Luminous Flux | LED Qty. | Dominant Wavelength λ_d | Operating Voltage | Operating Current | Operating Power | View Angle |
|-----------------------|------------|---------------|----------|---------------------------------|-------------------|-------------------|-----------------|------------|
| SA-LS-W-3528-300-24V | White | 1500lm | 300 | 7000K-9000K | DC 24V | 1A | 24W | 120° |
| SA-LS-WW-3528-300-24V | Warm White | 1350lm | 300 | 3000K-3500K | DC 24V | 1A | 24W | 120° |
| SA-LS-BL-3528-300-24V | Blue | 210lm | 300 | 465-475nm | DC 24V | 1A | 24W | 120° |
| SA-LS-GR-3528-300-24V | Green | 900lm | 300 | 515-525nm | DC 24V | 1A | 24W | 120° |
| SA-LS-RE-3528-300-24V | Red | 300lm | 300 | 620-630nm | DC 24V | 1A | 24W | 120° |
| SA-LS-AM-3528-300-24V | Yellow | 270lm | 300 | 585-595nm | DC 24V | 1A | 24W | 120° |

1. Tolerance of measurement of luminous intensity is $\pm 10\%$
2. The dominant wavelength λ_d is derived from the CIE chromaticity diagram and represents the single wavelength which defines the color of the device.
3. Specifications are subject to change without notice.
4. $\theta_{1/2}$ is the off-axis angle at which the luminous intensity is half the axial luminous intensity.

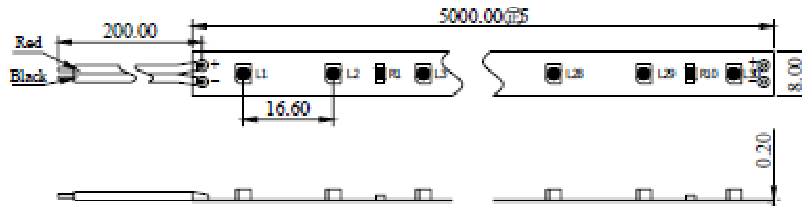
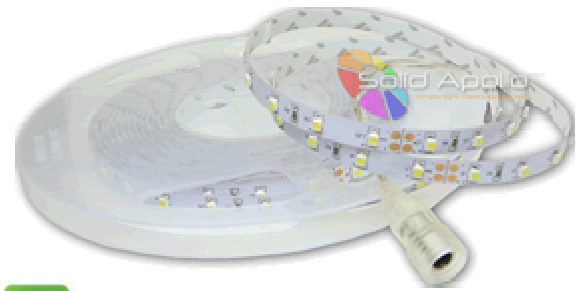
Strip cutting Method:



Cut across the straight line in between the welding holes



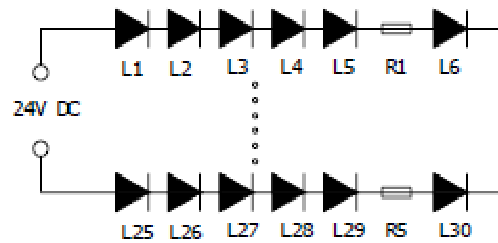
Don't cut anywhere before the welding holes



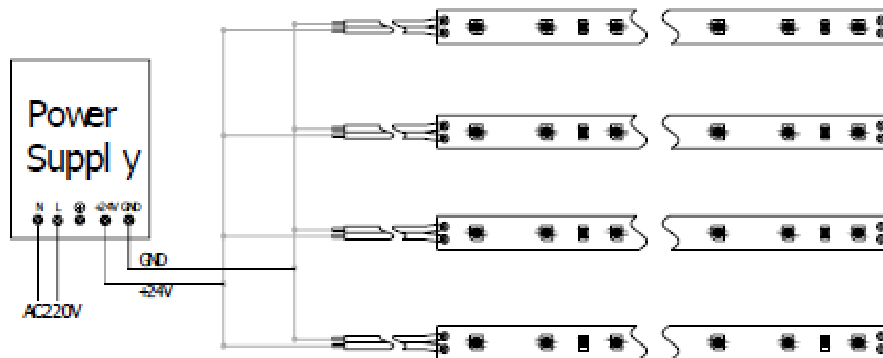
Dimension Drawing

Remark:

1. All dimensions are in millimeter.
2. Tolerance of measurement is $\pm 0.05\text{mm}$ (.02") unless otherwise noted.



Circuit Diagram





Solid Apollo Data Sheet for Ultra Bright LED Strip 43W 5050 Single Color Series – 24V (180 pieces)

- Small size and cool light output makes Solid Apollo's **High Brightness Flexible LED Strip** the perfect solution for a wide range of applications, such as cove lighting, back lighting, linear lighting, guidance lighting, channel letter and other narrow area lighting.
- Thanks to its slim factor in can be easily cut with ordinary scissors and can also be bent to meet a wide variety of installation needs.
- Every LED strip has an auto adhesive back surface made of premium 3M tape, which makes installations accessible to a variety of surfaces a breeze.
- Solid Apollo's Flexible LED strip can be cut every 6 LEDs or every 15cm/6 in. approx. Its 180 SMD 5050 LEDs, which are 3 times brighter than normal led strip, delivers spectacular lighting that is ideal for:
 - - **Cove Lighting**
 - - **Under cabinet Lighting**
 - - **Linear Lighting**
 - - **Ambient lighting**
 - - **Accent lighting**
- Every LED strip comes in a 5M/16.4" Spool, packaged in a Nitrogen environment to guarantee its freshness and quality.
- We recommend using Solid Apollo's 24V AC converter for this product.



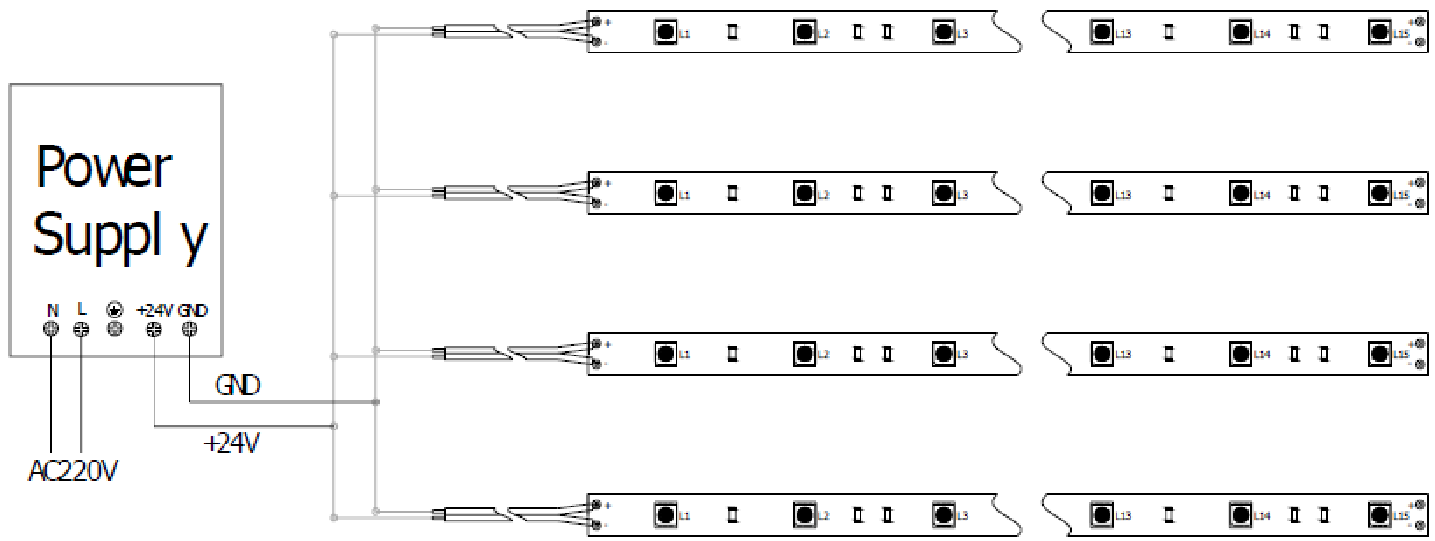
Product Features:

- 5M /16.4' per reel
- Width of Strip: 10mm
- 180pcs 5050LED per Reel
- 6 LEDs per small Unit
- Unit length: 150mm
- Weight: 115g
- LED Life time: Mean time between failure (MTBF): 50K hours

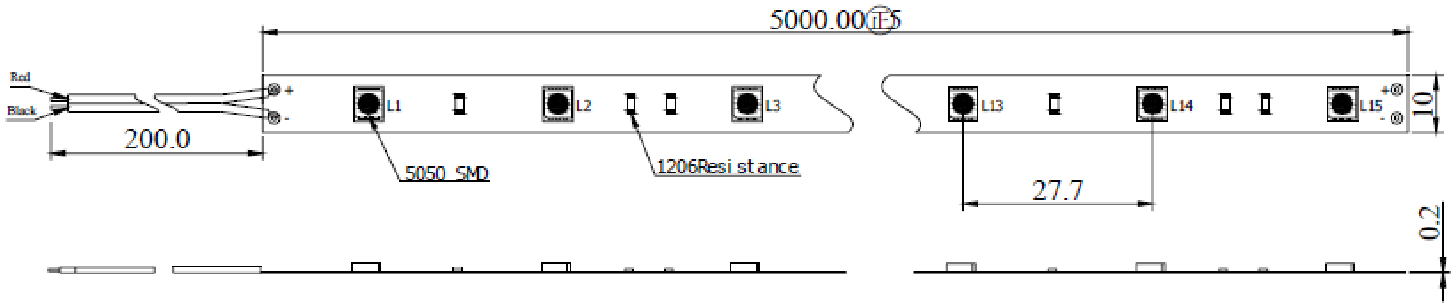


Product Information:

| SKU | Color | Luminous Flux | LED Qty. | Dominant Wavelength λ_d | Operating Voltage | Operating Current | Operating Power | View Angle |
|-----------------------|------------|---------------|----------|---------------------------------|-------------------|-------------------|-----------------|------------|
| SA-LS-W-5050-180-24V | White | 1,980lm | 180 | 7000K-9000K | DC24V | 1.8A | 43.2W | 120° |
| SA-LS-WW-5050-180-24V | Warm White | 1,710lm | 180 | 3000K-3500K | DC24V | 1.8A | 43.2W | 120° |



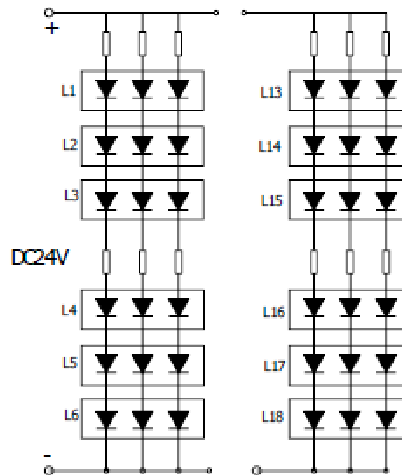
Installation drawing



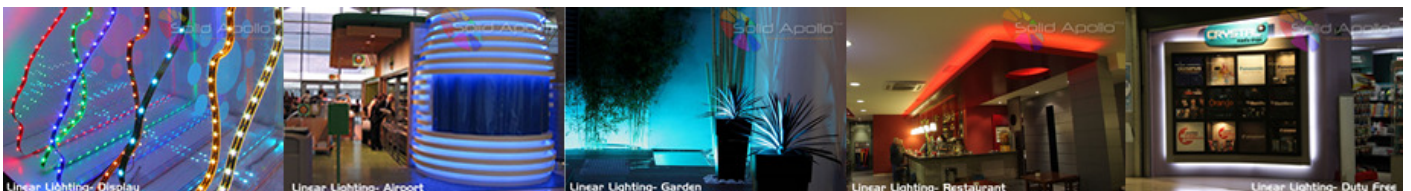
Dimension Drawing

Remark:

1. All dimensions are in millimeter.
2. Tolerance of measurement is ±0.05mm (.02") unless others otherwise noted.



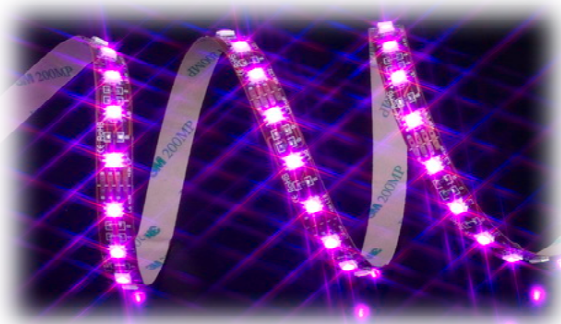
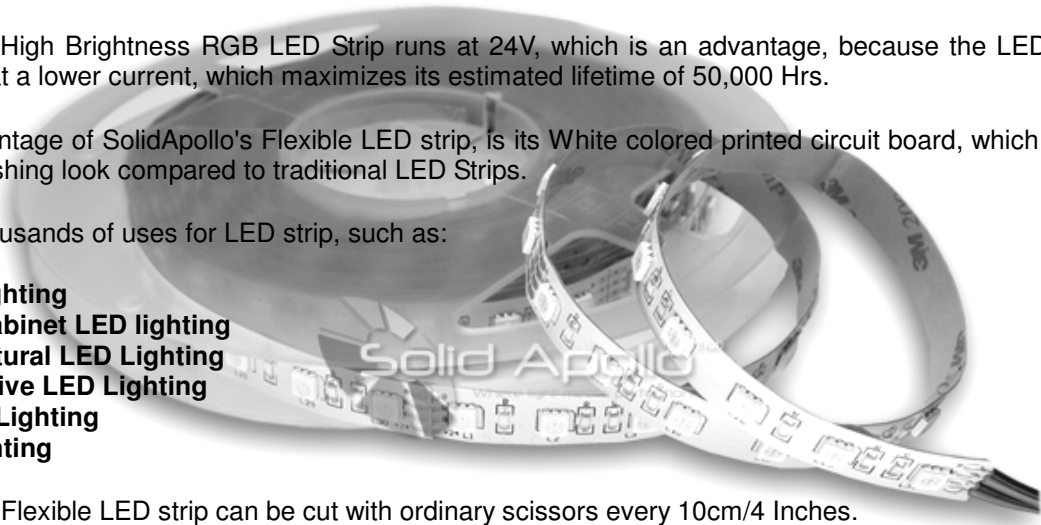
Circuit Diagram





Solid Apollo Data Sheet for High Brightness Flexible LED Strip 5050LEDs RGB 70w – 24V (300 pieces)

- SolidApollo's **High Brightness RGB LED Strip** is the perfect solution to light up areas in a linear format. Thanks to its white printed circuit board with double sided tape, it can be easily installed.
- We install in each High Brightness RGB LED Strip, 300 surface mounted **5050 RGB LED Chips**, that are individually picked by BIN Number in order to have a very steady color rendering in a big production line. For example the RGB LED Chips we use produce a very clean white light when you choose white in the RGB Controller.
- SolidApollo's High Brightness RGB LED Strip runs at 24V, which is an advantage, because the LED strip can operate at a lower current, which maximizes its estimated lifetime of 50,000 Hrs.
- Another advantage of SolidApollo's Flexible LED strip, is its White colored printed circuit board, which gives it a better finishing look compared to traditional LED Strips.
- There are thousands of uses for LED strip, such as:
 - **Cove Lighting**
 - **Under cabinet LED lighting**
 - **Architectural LED Lighting**
 - **Automotive LED Lighting**
 - **RV LED Lighting**
 - **Boat lighting**
- SolidApollo's Flexible LED strip can be cut with ordinary scissors every 10cm/4 Inches.
- Accessories you will need for this product:
 1. Power Supply minimum 70 W
 2. RGB Controller or DMX Controller
- This product is backed up by a 2 year warranty.



Product Features:

- 5M/16.4' per reel
- Width of Strip: 12mm
- 300pcs 5050LED (3chips) per Reel
- 6 LED per small Unit
- Unit length: 100mm
- Weight: 125g
- LED Life time: Mean time between failure (MTBF): 50K

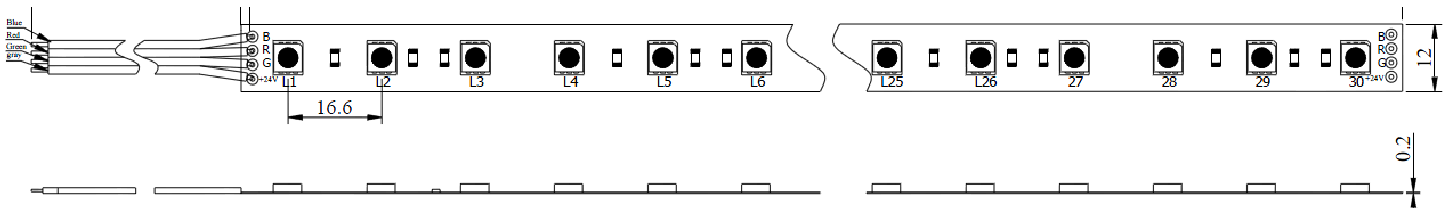


Product Information:

| SKU | Color | Luminous Flux | LED Qty. | Dominant Wavelength λ_d | Operating Voltage | Operating Current | Operating Power | View Angle |
|------------------------|-------|---------------|----------|--|-------------------|-------------------|-----------------|------------|
| SA-LS-RGB-5050-300-24V | RGB | 1,800lm | 300 | R: 620-630nm G: 515-525nm B: 460-470nm | DC24V | 3A | 72W | 120° |

Remark:

1. Tolerance of measurement of luminous intensity is $\pm 15\%$
2. The dominant wavelength λ_d is derived from the CIE chromaticity diagram and represents the single wavelength which defines the color of the device.
3. Specifications are subject to change without notice.
4. $\theta_{1/2}$ is the off-axis angle at which the luminous intensity is half the axial luminous intensity.

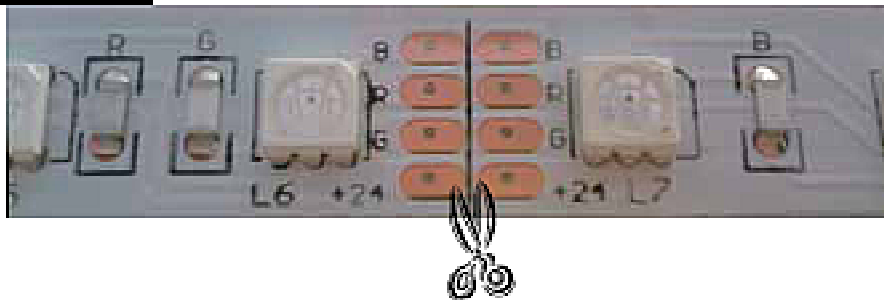


Dimension Drawing

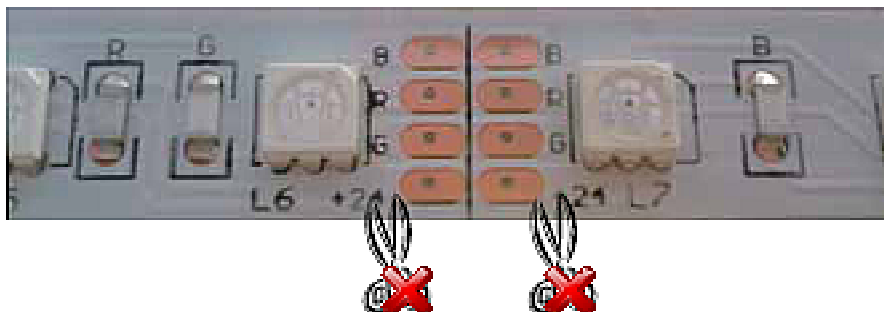
Remark:

1. All dimensions are in millimeter.
2. Tolerance of measurement is $\pm 0.25\text{mm}$ (.01") unless others otherwise noted.

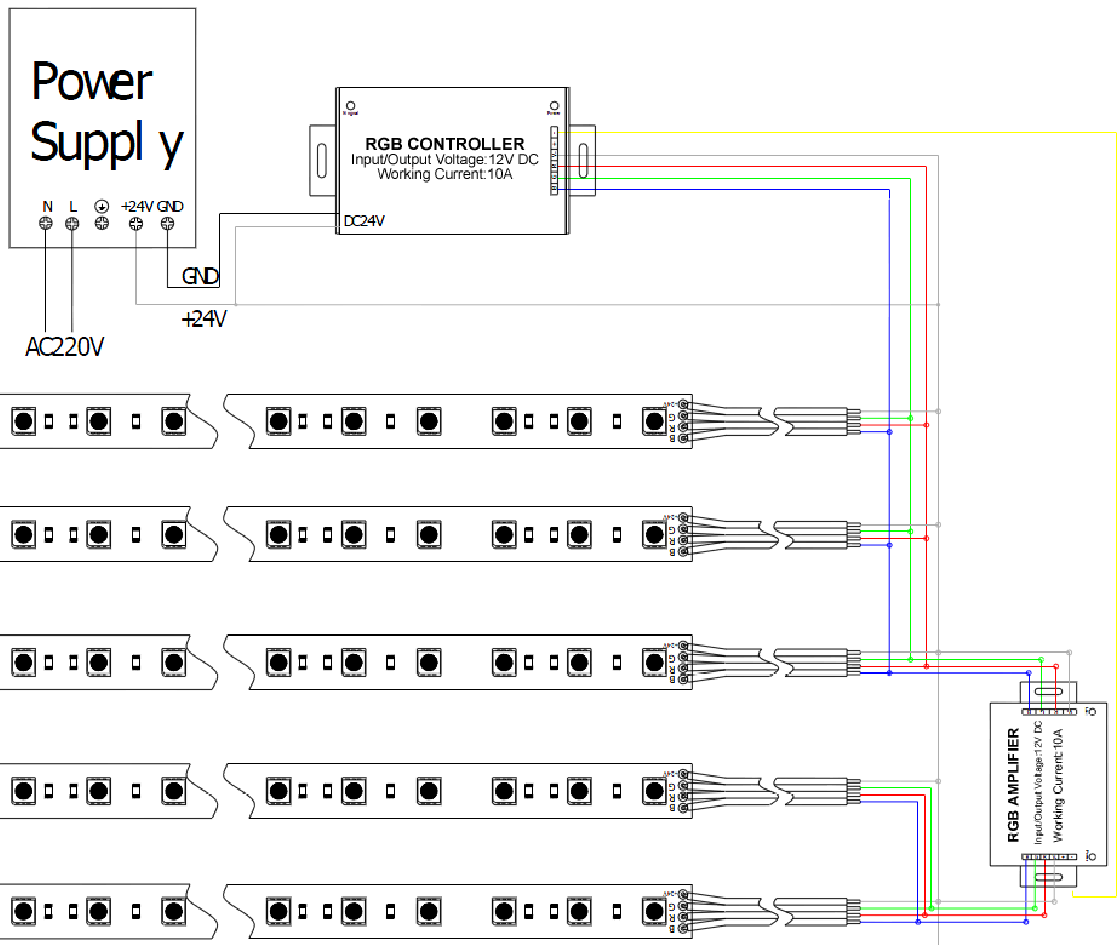
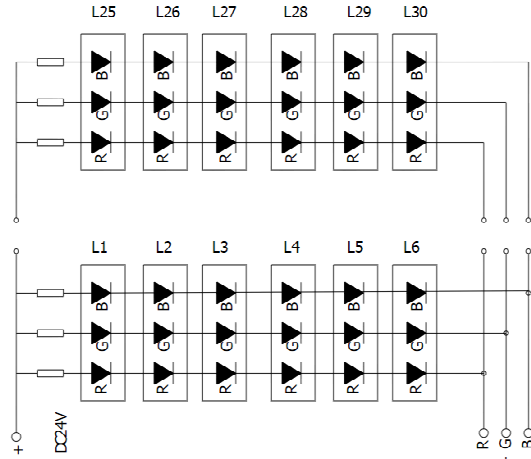
Strip cutting Method:



Cut across the straight line in between the welding holes



Don't cut anywhere before the welding holes

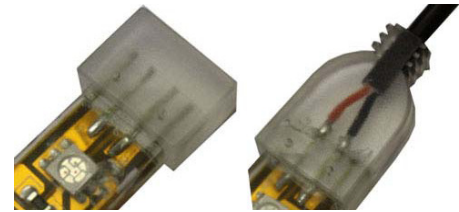




Solid Apollo Data Sheet for Ultra Bright Waterproof LED Strip 5050 Single Color Series 43W – 24V (180 pieces)

- Small size and cool light output makes Solid Apollo's **Waterproof Flexible LED Strip** the perfect solution for a wide range of applications, such as exterior cove lighting, back lighting, linear lighting, garden lighting architectural lighting, guidance lighting, channel letter and other narrow area lighting.
- Thanks to its slim factor in can be easily cut with ordinary scissors and can also be bent to meet a wide variety of installation needs. Another great feature is its **Silicon Seal IP67** encapsulation with UV protection, makes it the perfect solution for outdoor use.
- Solid Apollo's waterproof Flexible LED strip can be cut every 6 LEDs or every 10cm/4 in. approx. Its 300 SMD 3528 LEDs, delivers spectacular lighting that is ideal for:

- Exterior LED Cove Lighting
- LED Outdoor Lighting
- LED Architectural Lighting- Linear LED Lighting
- LED Ambient lighting
- LED Accent lighting



- Every LED strip comes in a 5M/16.4" Spool, packaged in a Nitrogen environment to guarantee its freshness and quality. Also, we manufacture all LED strips with a White base, which enhances the look of the product.
- It Also includes a jack connector for easy connection with absolutely no soldering!
- We recommend using Solid Apollo's 24V AC converter for this product.



Product Features:

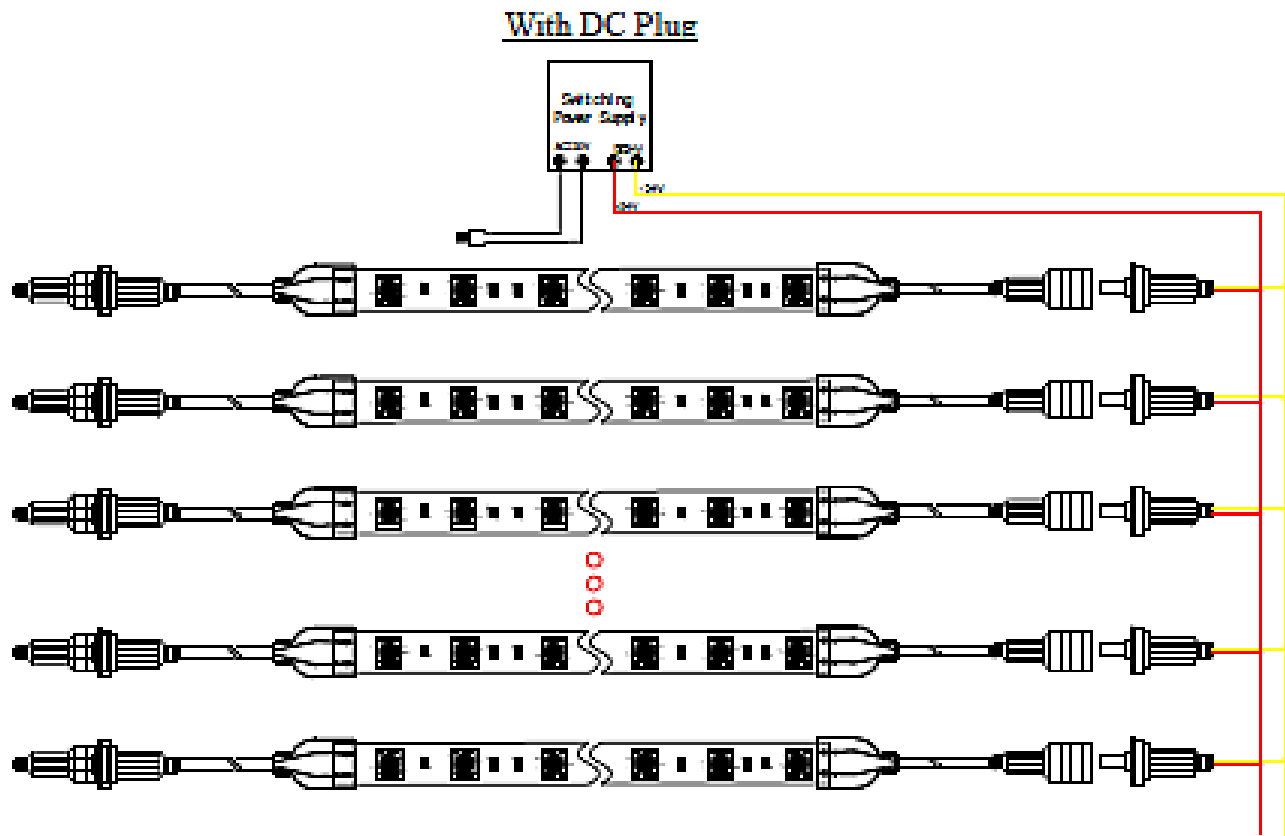
- o 5M /16.4'per reel
- o Width of Strip: 10mm
- o 180pcs 5050LED per Reel
- o 6 LEDs per small Unit
- o Unit length: 100mm
- o Weight: 265g
- o Waterproof: IP67
- o LED Life time: Mean time between failure (MTBF): 50K hours

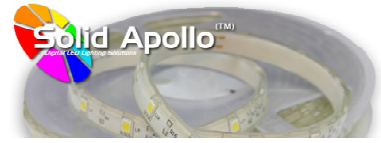


Product Information:

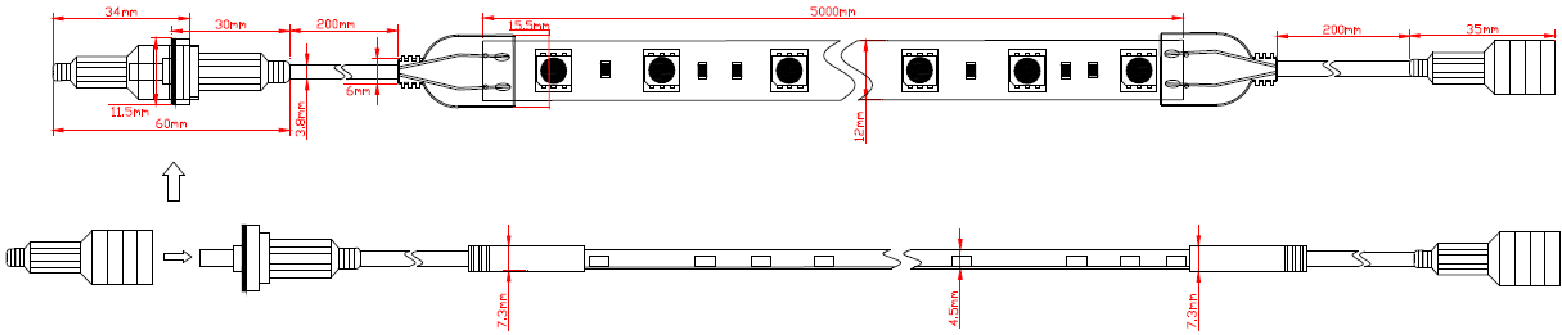
| SKU | Color | Luminous Flux | LED Qty. | Dominant Wavelength λ_d | Operating Voltage | Operating Current | Operating Power | View Angle |
|-----------------------|------------|---------------|----------|---------------------------------|-------------------|-------------------|-----------------|------------|
| SA-LS-W-5050-180-24V | White | 2,160lm | 180 | 7000K-9000K | DC24V | 1.35A | 32.5W | 120° |
| SA-LS-WW-5050-180-24V | Warm White | 1800lm | 180 | 3000K-3500K | DC24V | 1.35A | 32.5W | 120° |

1. Tolerance of measurement of luminous intensity is $\pm 10\%$
2. The dominant wavelength λ_d is derived from the CIE chromaticity diagram and represents the single wavelength which defines the color of the device.
3. Specifications are subject to change without notice.
4. $\theta_{1/2}$ is the off-axis angle at which the luminous intensity is half the axial luminous intensity.

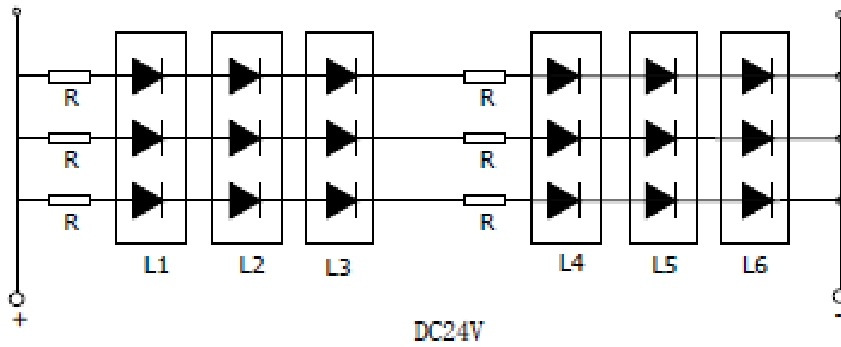




Dimensions drawing
With DC Plug



Circuit Diagram

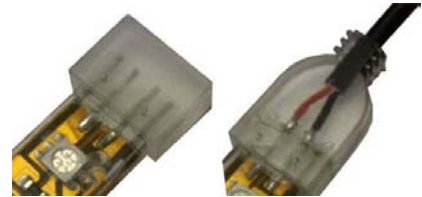




Solid Apollo Data Sheet for Waterproof Flexible LED Strip 3528 Single Color Series 18W – 24V (300 pieces)

- Small size and cool light output makes Solid Apollo's **Waterproof Flexible LED Strip** the perfect solution for a wide range of applications, such as exterior cove lighting, back lighting, linear lighting, garden lighting architectural lighting, guidance lighting, channel letter and other narrow area lighting.
- Thanks to its slim factor in can be easily cut with ordinary scissors and can also be bent to meet a wide variety of installation needs. Another great feature is its **Silicon Seal IP67** encapsulation with UV protection, makes it the perfect solution for outdoor use.
- Solid Apollo's waterproof Flexible LED strip can be cut every 6 LEDs or every 10cm/4 in. approx. Its 300 SMD 3528 LEDs, delivers spectacular lighting that is ideal for:

- Exterior LED Cove Lighting
- LED Outdoor Lighting
- LED Architectural Lighting- Linear LED Lighting
- LED Ambient lighting
- LED Accent lighting



- Every LED strip comes in a 5M/16.4" Spool, packaged in a Nitrogen environment to guarantee its freshness and quality. Also, we manufacture all LED strips with a White base, which enhances the look of the product.
- It Also includes a jack connector for easy connection with absolutely no soldering!
- We recommend using Solid Apollo's 24V AC converter for this product.



Product Features:

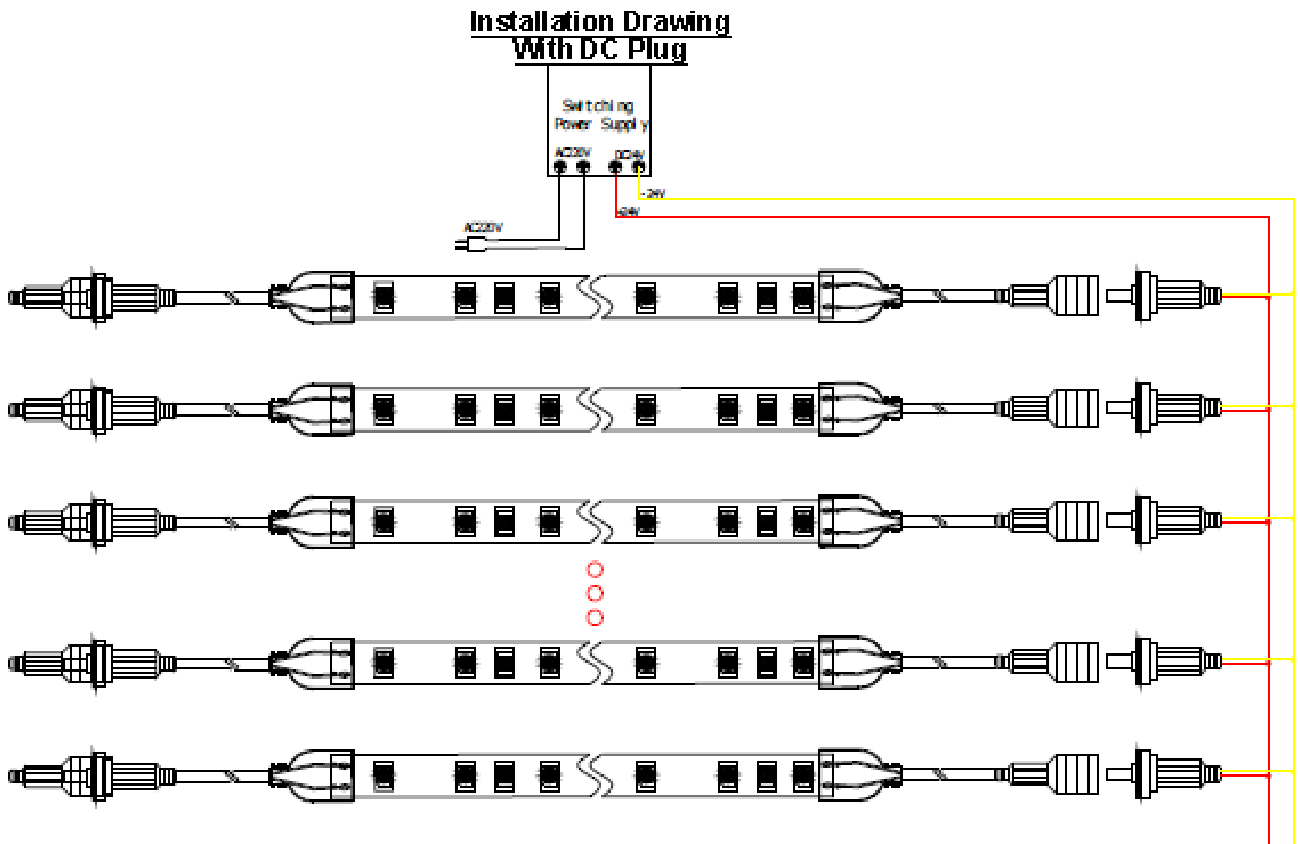
- o 5M /16.4'per reel
- o Width of Strip: 16.5mm
- o 300pcs 3528LED per Reel
- o 6 LEDs per small Unit
- o Unit length: 100mm
- o Weight: 289g
- o Waterproof: IP 67
- o LED Life time: Mean time between failure (MTBF): 50K hours



Product Information:

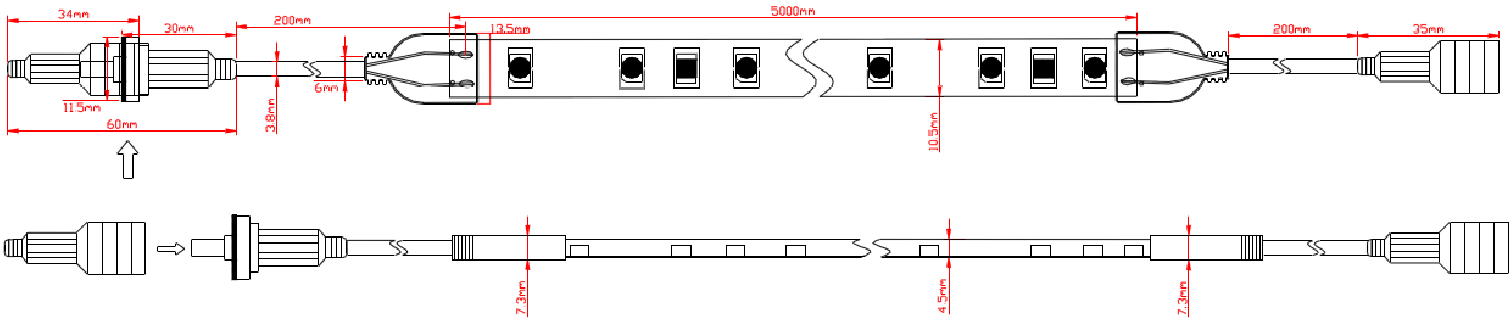
| | Color | Luminous Flux | LED Qty. | Dominant Wavelength λ_d | Operating Voltage | Operating Current | Operating Power | View Angle |
|----------------------------|------------|---------------|----------|---------------------------------|-------------------|-------------------|-----------------|------------|
| SA-LS-W-3528-300-IP68-24V | White | 1,500lm | 300 | 7000K-9000K | DC 24V | 1A | 24W | 120° |
| SA-LS-WW-3528-300-IP68-24V | Warm White | 1,200lm | 300 | 3000K-3500K | DC 24V | 1A | 24W | 120° |
| SA-LS-B-3528-300-IP68-24V | Blue | 210lm | 300 | 465-475nm | DC 24V | 1A | 24W | 120° |
| SA-LS-GR-3528-300-IP68-24V | Green | 900lm | 300 | 515-525nm | DC 24V | 1A | 24W | 120° |
| SA-LS-R-3528-300-IP68-24V | Red | 300lm | 300 | 620-630nm | DC 24V | 1A | 24W | 120° |
| SA-LS-A-3528-300-IP68-24V | Amber | 270lm | 300 | 585-595nm | DC 24V | 1A | 24W | 120° |

1. Tolerance of measurement of luminous intensity is $\pm 10\%$
2. The dominant wavelength λ_d is derived from the CIE chromaticity diagram and represents the single wavelength which defines the color of the device.
3. Specifications are subject to change without notice.
4. $\theta_{1/2}$ is the off-axis angle at which the luminous intensity is half the axial luminous intensity.





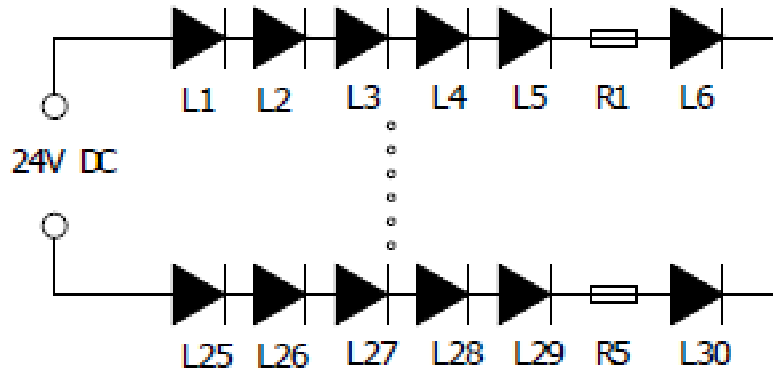
Dimensions With DC Plug



Remark:

1. All dimensions are in millimeter.
2. Tolerance of measurement is $\pm 0.05\text{mm}$ (.02") unless others otherwise noted.

Circuit Diagram





Solid Apollo Data Sheet for Flexible Waterproof LED Strip 5050 RGB Series 36W – 24V (180 pieces)

- Small size and cool light output makes Solid Apollo's **Waterproof Flexible RGB LED Strip** the perfect solution for a wide range of applications, such as exterior cove lighting, back lighting, linear lighting, garden lighting architectural lighting, guidance lighting, channel letter and other narrow area lighting.
- Thanks to its 3 Chip RGB LED Configuration, you are able to create more than 16 million different colors with an optional RGB Controller. (Please see RGB Controllers available)
- Thanks to its slim factor it can be easily cut with ordinary scissors and can also be bent to meet a wide variety of installation needs. Another great feature is its **Silicon Seal IP67** encapsulation with UV protection, makes it the perfect solution for outdoor use.
- Solid Apollo's waterproof Flexible LED strip can be cut every 6 LEDs or every 17cm/7in. approx. Its 180 SMD RGB 5050 LEDs, delivers spectacular lighting that is ideal for:

- Exterior LED Cove Lighting
- LED Outdoor Lighting
- LED Architectural Lighting- Linear LED Lighting
- LED Ambient lighting
- LED Accent lighting



- Every LED strip comes in a 5M/16.4" Spool, packaged in a Nitrogen environment to guarantee its freshness and quality. Also, we manufacture all LED strips with a White base, which enhances the look of the product.
- We recommend using Solid Apollo's 24V AC converter and any RGB Controller for this product.



Product Features:

- o 5M /16.4'per reel
- o Width of Strip: 13mm
- o 180pcs 5050LED (3clips) per Reel
- o 6 LED per small Unit
- o Unit length: 166mm
- o Weight: 260g
- o Waterproof: IP 67
- o LED Life time: Mean time between failure (MTBF): 50K hours



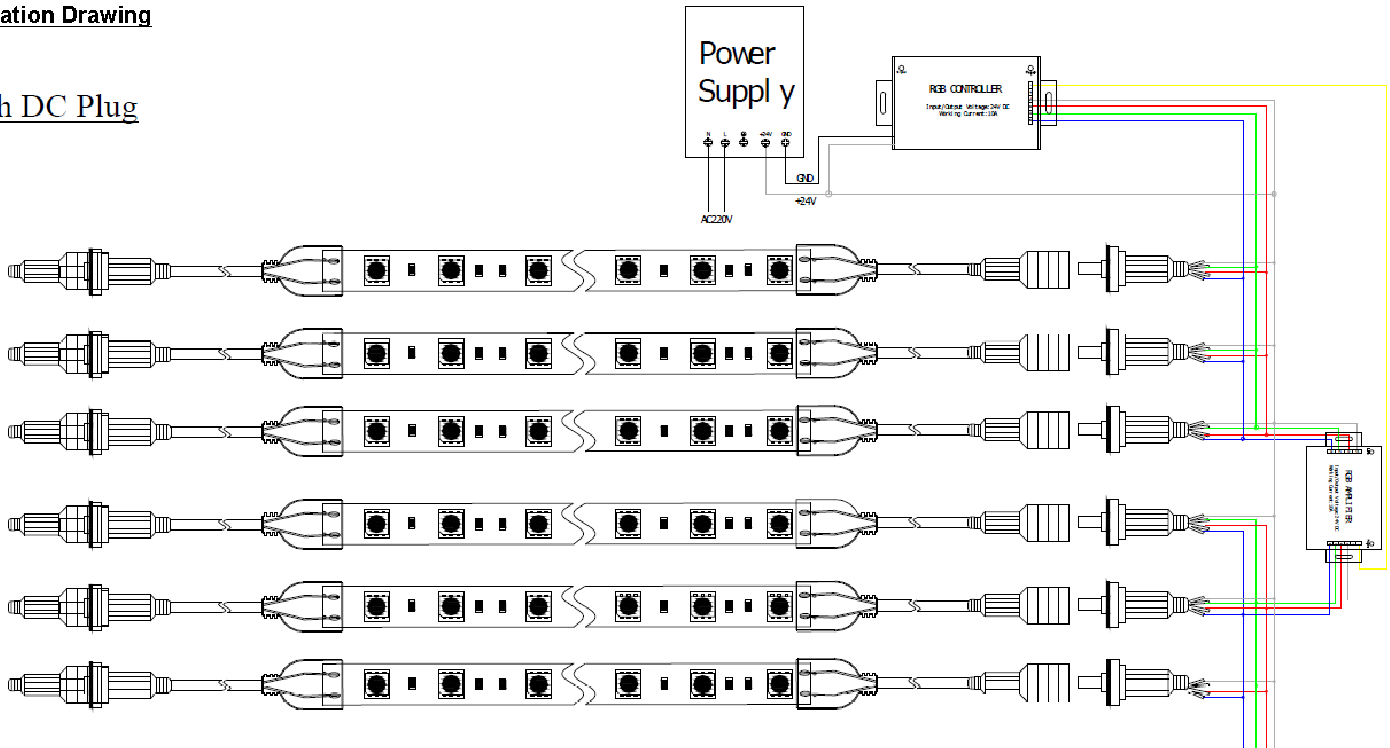
Product Information:

| SKU | Color | Luminous Flux | LED Qty. | Dominant Wavelength λ_d | Operating Voltage | Operating Current | Operating Power | View Angle |
|-----------------------------|-------|---------------|----------|--|-------------------|-------------------|-----------------|------------|
| SA-LS-RGB-5050-180-IP68-24V | RGB | 960lm | 180 | R: 620-630nm G: 515-525nm B: 460-470nm | DC24V | 1.65A | 39.5W | 120° |

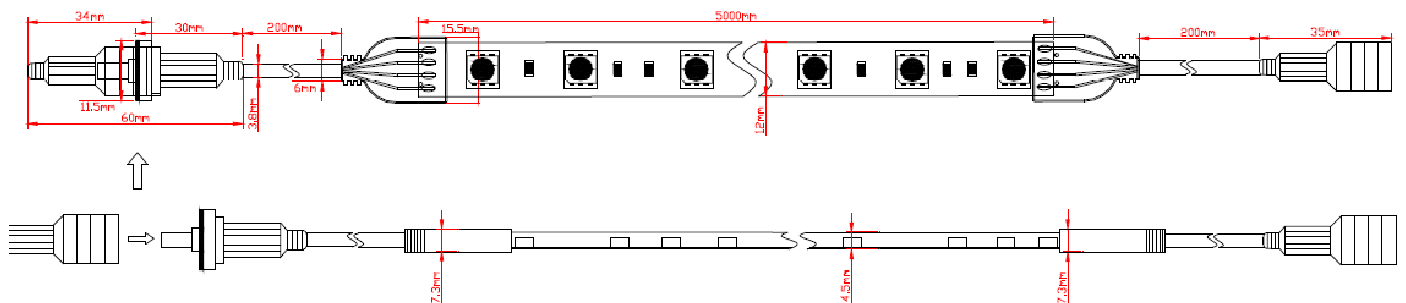
- Remark:**
1. Tolerance of measurement of luminous intensity is $\pm 15\%$
 2. The dominant wavelength λ_d is derived from the CIE chromaticity diagram and represents the single wavelength which defines the color of the device.
 3. Specifications are subject to change without notice.
 4. $\theta_{1/2}$ is the off-axis angle at which the luminous intensity is half the axial luminous intensity.

Installation Drawing

With DC Plug

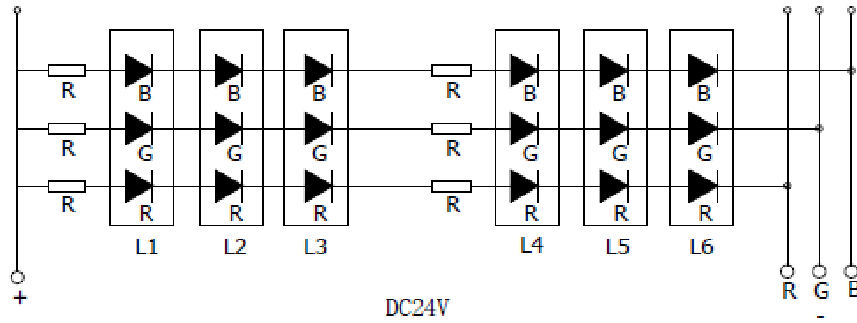


Dimension drawing
With DC Plug

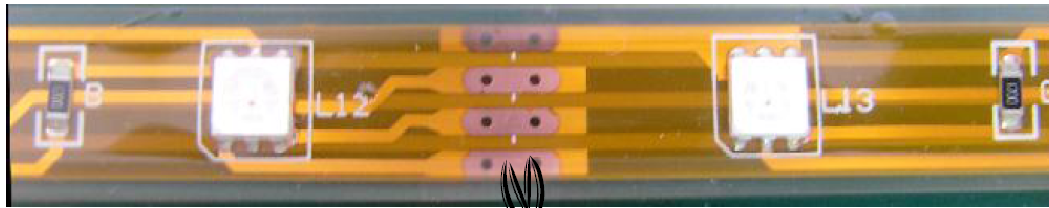




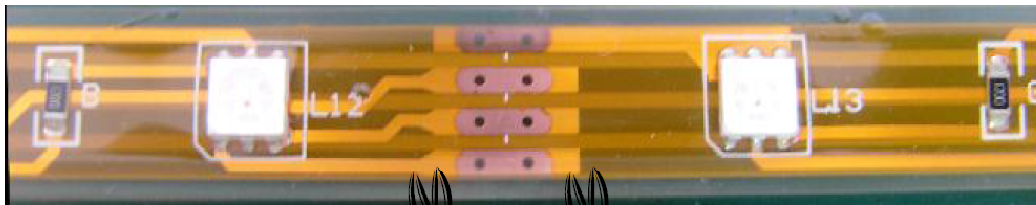
Circuit diagram



Strip cutting Method:

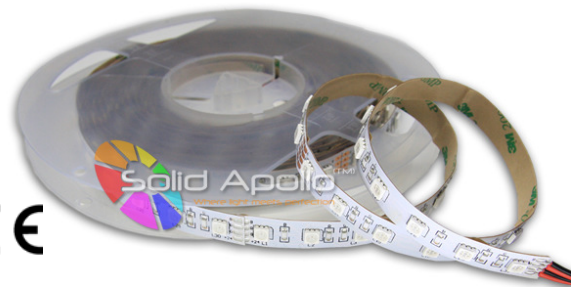


Cut across the straight line in between the welding holes



Don't cut anywhere before the welding holes





Solid Apollo Data Sheet for Flexible SMD Strips RGB – 24V (180 pieces)

- SolidApollo's **RGB LED Strip** is the perfect solution to light up areas in a linear format. Thanks to its white printed circuit board with double sided tape, it can be easily installed.
- We install in each High Brightness RGB LED Strip, 180 surface mounted **5050 RGB LED Chips**, that are individually picked by BIN Number in order to have a very steady color rendering in a big production line. For example the RGB LED Chips we use produces a very clean white light when you choose white in the RGB Controller.
- SolidApollo's High Brightness RGB LED Strip runs at 24V, which is an advantage, because the LED strip can operate at a lower current, which maximizes its estimated lifetime of 50,000 Hrs.
- Another advantage of SolidApollo's Flexible LED strip, is its White colored printed circuit board, which gives it a better finishing look compared to traditional LED Strips.
- There are thousands of uses for LED strip, such as:
 - **Cove Lighting**
 - **Under cabinet LED lighting**
 - **Architectural LED Lighting**
 - **Automotive LED Lighting**
 - **RV LED Lighting**
 - **Boat lighting**
- SolidApollo's Flexible LED strip can be cut with ordinary scissors every 10cm/4 Inches.
- Accessories you will need for this product:
 1. Power Supply minimum 60 W
 2. RGB Controller or DMX Controller
- This product is backed up by a 2 year warranty.

Product Features:

- o 5M /16.4' per reel
- o Width of Strip: 10mm
- o 180pcs 5050LED (3chips) per Reel
- o 6 LEDs per small Unit
- o Unit length: 100mm
- o Weight: 110g
- o LED Life time: Mean time between failure (MTBF): 50K hours

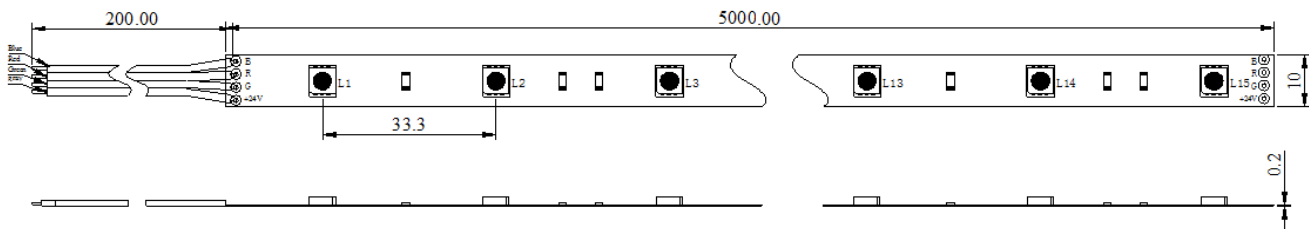


Product Information:

| SKU | Color | Luminous Flux | LED Qty. | Dominant Wavelength λd | Operating Voltage | Operating Current | Operating Power | View Angle |
|------------------------|-------|---------------|----------|--|-------------------|-------------------|-----------------|------------|
| SA-LS-RGB-5050-180-24V | RGB | 1,080lm | 180 | R: 620-630nm G: 515-525nm B: 460-470nm | DC24V | 1.8A | 45W | 120° |

Remark:

1. Tolerance of measurement of luminous intensity is ±15%
2. The dominant wavelength λd is derived from the CIE chromaticity diagram and represents the single wavelength which defines the color of the device.
3. Specifications are subject to change without notice.
4. θ1/2 is the off-axis angle at which the luminous intensity is half the axial luminous intensity.

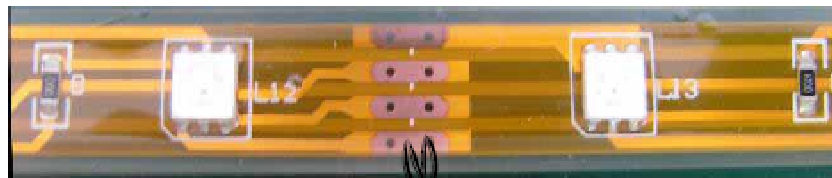


Dimension Drawing

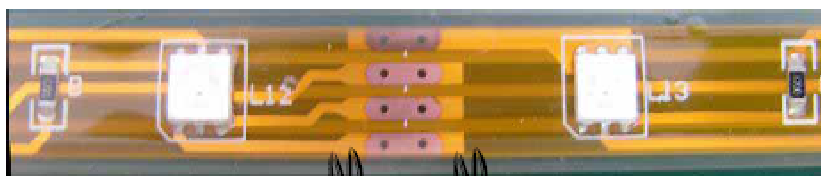
Remark:

1. All dimensions are in millimeter.
2. Tolerance of measurement is ±0.25mm (.01") unless others otherwise noted.

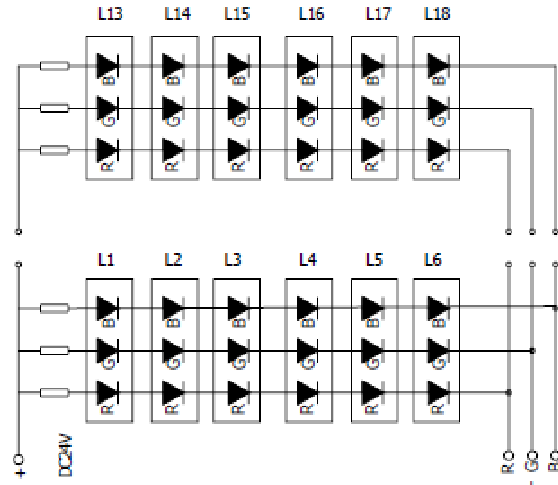
Strip cutting Method:



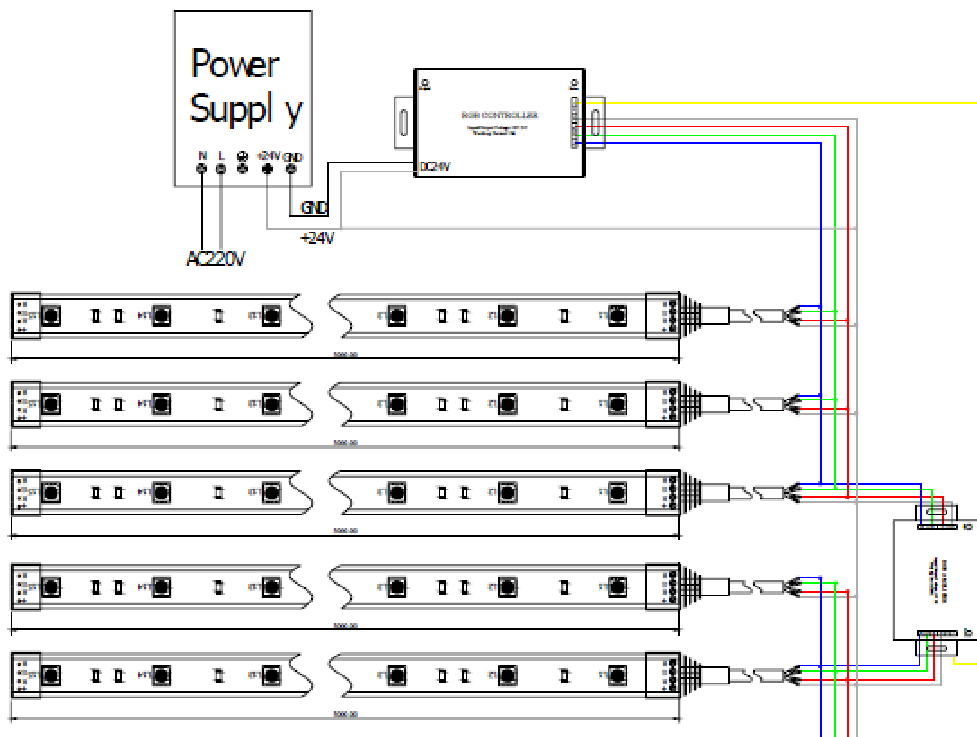
Cut across the straight line in between the welding holes



Don't cut anywhere before the welding holes



Circuit diagram



Installation drawing

