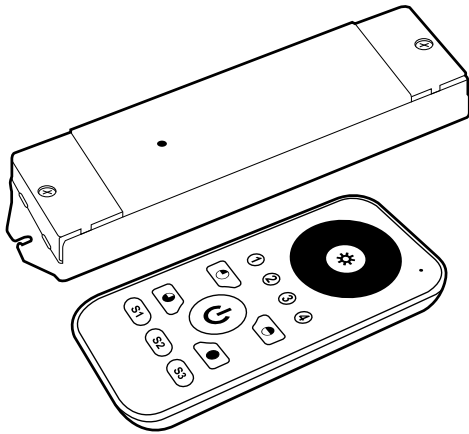


DATA SHEET

LEDWIZARD DYNAMIC WHITE LED CONTROLLER/REMOTE

SKU: SA-CTRL-27



Product Description

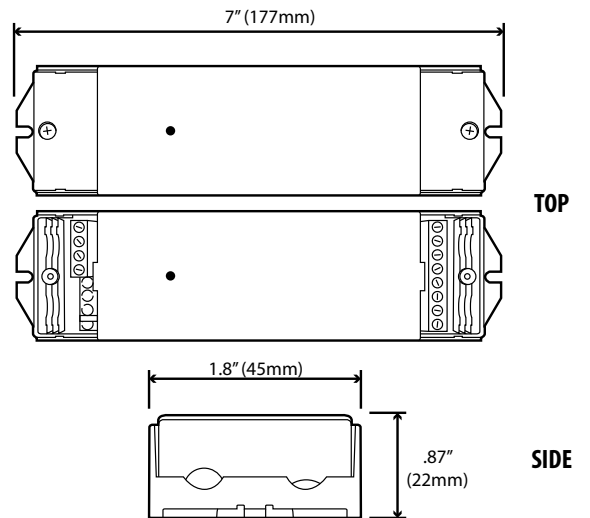
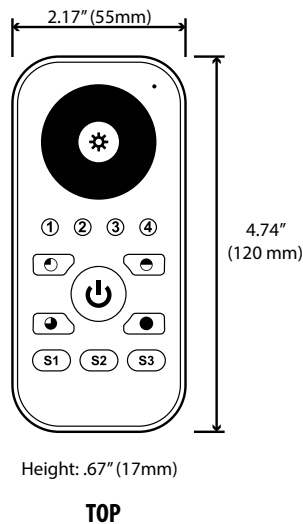
Solid Apollo's LEDWizard Dynamic White LED Controller/Remote lets you adjust the color temperature of our Dynamic White LED Strips. It's easy to use and the results are outstanding. Easily select from a comfortable warm white to a crystal clear white. This state of the art Dynamic White LED Controller/Remote is the perfect solution where color temperature must be adjusted on a continuous basis. An easy to mount wall holder is also included to securely hold the remote when not in use.

- Easily control the color temperature from warm white to white and anywhere in between
- Easily dim lights using the four dimming presets
- Select color temperature easily with the Color Temperature Wheel
- Add up to four zones
- Soft ON/OFF function for long-term protection and reliability

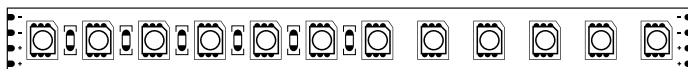
Quick Spec.

• UL Listed	Controller: Yes	• Warranty:	3 Years	• Channels:	4
• Dimmable	Yes	• Weight:	1.3 lb	• Product Color:	Remote: Black
• Input Voltage:	Remote: 3 x AAA Batteries	• Dimensions:	Remote: 4.7"x2.2"x0.7"		Controller: White
	Controller: 12-36VDC		Controller: 7"x1.81"x0.87"	• Working Temp:	30 - 115F
• Max Power:	Controller: 240W@24VDC	• IP Rating:	IP55	• Certifications:	CE, RoHs
• Max Amp	Controller: 5A per Output	• Control System:	PWM		Controller: UL Listed

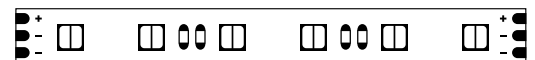
Technical Diagrams



Companion Products



Dynamic White 5050 96W LED Strip Light
SA-LS-SWW-W-5050-480-24V



Dynamic White 5050 72W LED Strip Light
SA-LS-WW-W-5050-300-24V