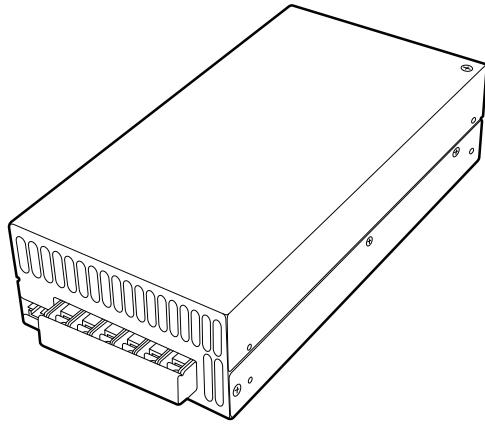


DATA SHEET

LED POWER SUPPLY 24V-DC-600W

SKU: SA-PS-24V-25A-600W



Product Description

Solid Apollo's 24V DC 600W LED Power Supply is the ideal solution to drive LEDs at a constant voltage of 24 Volts DC and to a max power of 600W.

Its intelligent heat management system includes a heat dissipating fan for maximum performance. It features screw down terminals for INPUT and OUTPUT for easy connectivity, an AC with ground input, built-in adjustable output voltage from 22-26 V DC, and an internal DC fan for forced air cooling.

- RU Certified - UL listed components
- High Efficiency and Low Temperature Operation
- 24V DC -600W Output
- AC Input Active Surge Current Limiter
- Interchangeable 100-240V AC Input Range Selected by Switch
- Short Circuit and Overload Protection
- Thermal Protection
- Built in DC Fan for Forced Air Cooling
- Soft Start Current, for Maximum Protection
- Adjustable Output Voltage from 22-26V DC

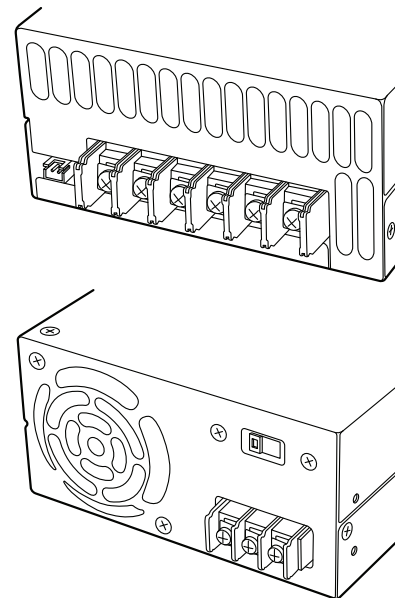
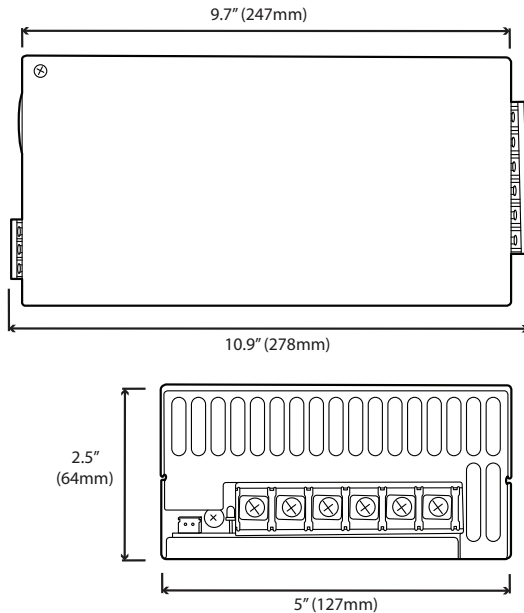
Quick Spec.

• Dimmable	No
• Input Voltage:	100-240VAC
• Max Power:	600W
• Max Amp:	25A

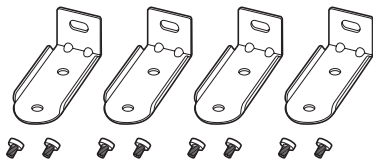
• Warranty:	3 Years
• Weight:	4.75 lb
• Dimensions:	10.9"x5"x2.5"
• IP Rating:	IP55

• Product Color:	Silver
• Working Temp:	-4 - 185F
• Certifications:	CE, RU

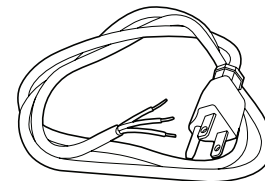
Technical Diagrams



Companion Products



Brackets for LED Power Supply 24V-DC-600W
SKU: SA-PS-BRACKET-600W-24V



5 Foot AC Power Cord
SKU: US AC Cord