



DATA SHEET

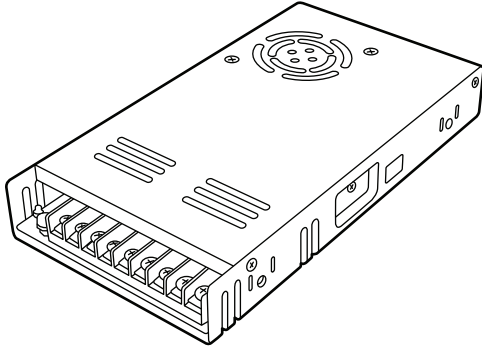
LED POWER SUPPLY 24V-DC-350W

SKU: SA-PS-24V-14A-350W

Product Description

Solid Apollo's LED power supply is the ideal solution to drive LEDs at a constant voltage of 24 Volts DC and to a max power of 350W.

Its intelligent heat management system includes a heat dissipating fan for maximum performance. It includes 3 X 24V DC outputs with screw down terminals and 1 AC with ground input.



- Designed under UL 1950 safety specifications
- High efficiency and low temperature operation
- 24V DC -350W output
- 3 outputs for easy installation
- Short circuit and overload protection
- Auto recovery mode
- Thermal protection
- Soft start current, for maximum protection
- Adjustable output voltage from 20-26V DC
- 3 year warranty

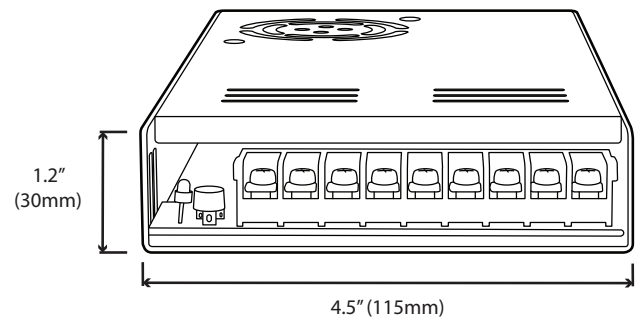
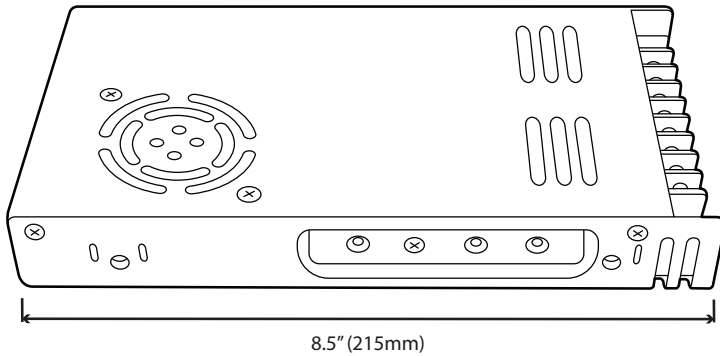
Quick Spec.

• Dimmable	No
• Input Voltage:	100-240VAC
• Max Power:	350W
• Max Amp:	14A

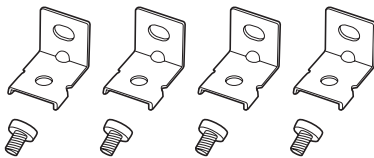
• Warranty:	3 Years
• Weight:	1.65 lb
• Dimensions:	8.5"x4.5"x1.2"
• IP Rating:	IP55

• Product Color:	Silver
• Working Temp:	-4 - 185F
• Certifications:	RU

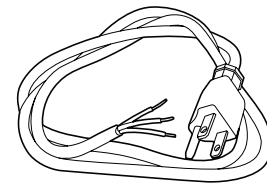
Technical Diagrams



Companion Products



Brackets for LED Power Supply 24V-DC-350W-1000W-1500W
SKU: SA-PS-BRACKET-24V



5 Foot AC Power Cord
SKU: US AC Cord