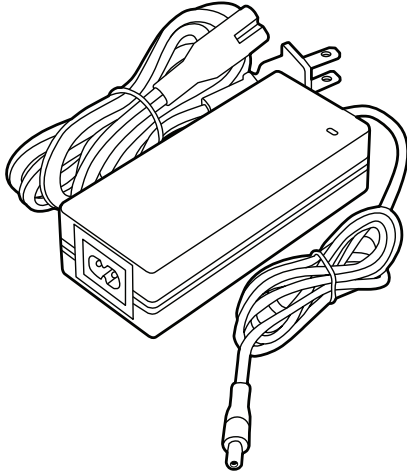


DATA SHEET

LED POWER SUPPLY 24V-DC-2A-48W

SKU: SA-PS-24V-2A-48W



Product Description

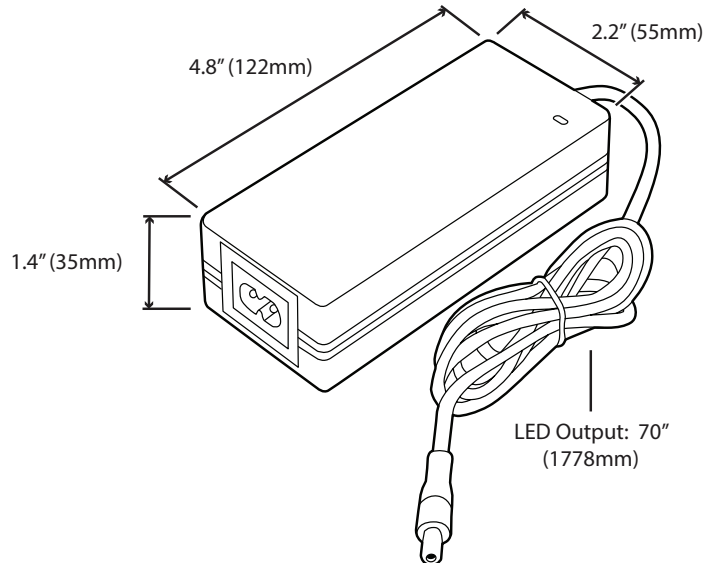
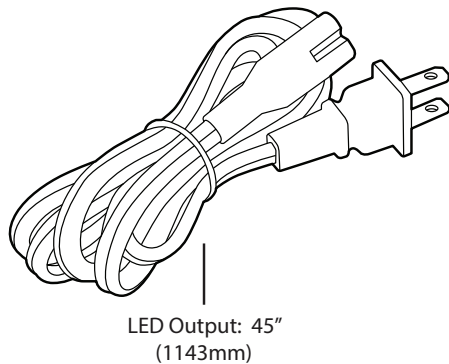
The 48W 24V Power Supply offers a convenient way to drive all of your LED requirements. Thanks to its small design, the 48W is ideal for powering up LED lights that work at a constant voltage of 24V DC to a maximum current of 2A or 48W.

- UL listed
- CE Listed
- Class II Certification
- 2 prong power cable
- Output 5.5 mm barrel connector for easy connection
- Short circuit protection
- Over load protection
- Small size form factor

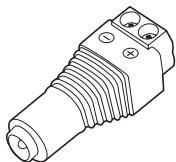
Quick Spec.

• Dimmable:	No	• Weight:	.75 lb	• Working Temp:	32 - 122F
• Input Voltage:	100-240 VAC	• Dimensions:	4.8" X 2.2" X 1.4"	• Certifications:	UL Listed, CE, FCC, TUV, Class II
• Max Power:	48W	• IP Rating:	IP55		
• Warranty:	3 Years	• Product Color:	Black		

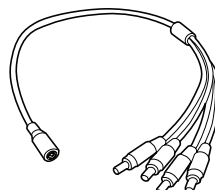
Technical Diagrams



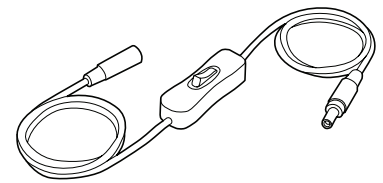
Companion Products



Female Barrel to 2 Conductor Connector
SKU: SA-LS-ACC-003



4 Way Barrel Power Splitter
SKU: SA-LS-ACC-011



On/Off Switch for LED Lights
SKU: SA-CTRL-SWITCH