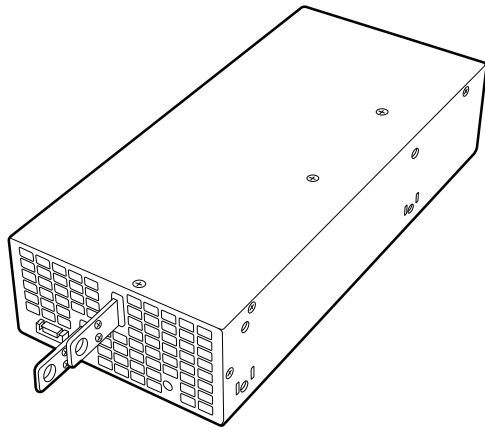


DATA SHEET

LED POWER SUPPLY 24V-DC-1000W

SKU: SA-PS-24V-41.7A-1000W



Product Description

Solid Apollo's 24V DC 1000W LED Power Supply is the ideal solution to drive LEDs at a constant voltage of 24 Volts DC and to a max power of 1000W.

Its intelligent heat management system includes a heat dissipating ball bearing fan for maximum performance. It features screw down terminals for INPUT and OUTPUT for easy connectivity, an AC with ground input, built-in adjustable output voltage selector from 22-27.5V DC, and short circuit and overload protection.

- RU Certified - UL Listed Components
- High Efficiency and Low Temperature Operation
- 24V DC - 1000W Output
- AC Input Active Surge Current Limiter
- Interchangeable 100-240V AC Input Range Selected by Switch
- Short Circuit and Overload Protection
- Thermal Protection
- Built-in Ball Bearing DC Fan for Forced Air Cooling
- Built-in Remote ON / OFF Control
- Soft Start Current, for Maximum Protection
- Adjustable Output Voltage from 22-27.5V DC

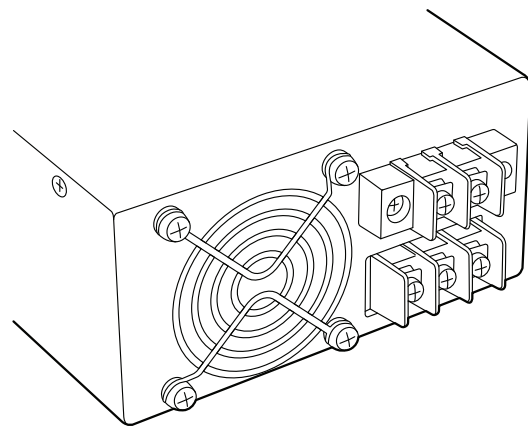
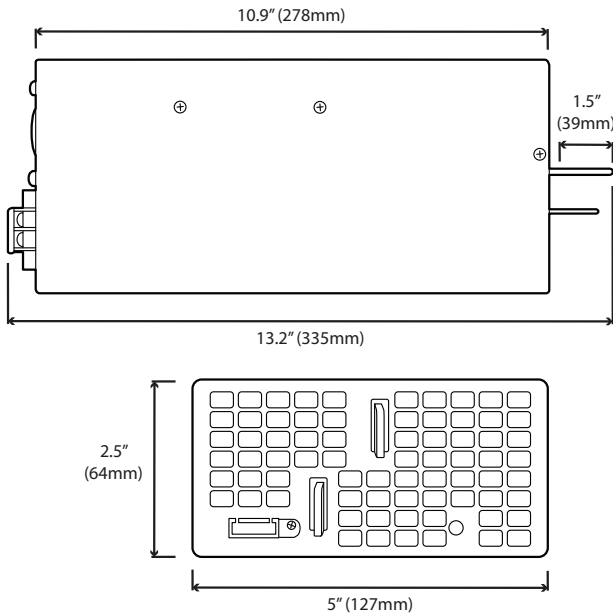
Quick Spec.

• Dimmable	No
• Input Voltage:	100-240VAC
• Max Power:	1000W
• Max Amp:	41.7A

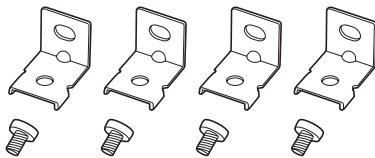
• Warranty:	3 Years
• Weight:	5.2 lb
• Dimensions:	13" x 5" x 2.5"
• IP Rating:	IP33

• Product Color:	Silver
• Working Temp:	-4 - 185F
• Certifications:	RU, cUL

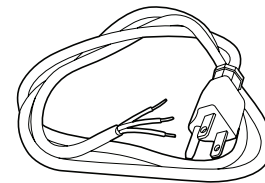
Technical Diagrams



Companion Products



Brackets for LED Power Supply 24V-DC-350W-1000W-1500W
SKU: SA-PS-BRACKET-24V



5 Foot AC Power Cord
SKU: US AC Cord