



DATA SHEET

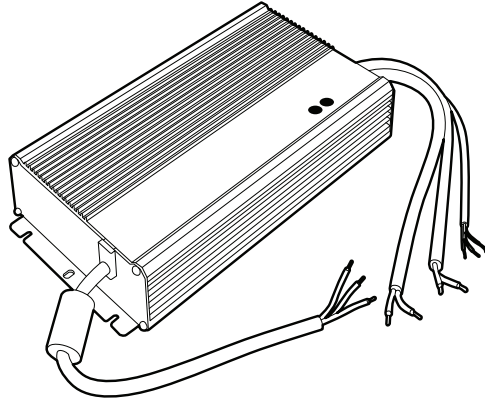
FANLESS WATERPROOF LED POWER SUPPLY 24V-25A-600W

SKU: SA-PS-24V-13.3A-600W-WP

Product Description

Solid Apollo's LED fanless ultra quiet, waterproof power supply is the ideal solution to drive LEDs at a constant voltage of 24 Volts DC and to a max power of 600W in all-weather environments.

Thanks to its intelligent heat management system, this transformer is able to stay well within normal operating temperatures without the use of a fan for cooling. It includes two main 24 volt power outputs, one 5 volt output and 1 AC input. Output voltage and constant current level can be adjusted through internal potentiometers.



- RU Certified - UL listed components
- Fanless - Ultra quiet
- Waterproof IP65
- Durable aluminum enclosure
- High efficiency and low temperature operation
- 24V DC - 600W output
- Built-in 5V/0.5A standby power
- Short circuit and overload protection
- Auto recovery mode
- Thermal protection
- Soft start current, for maximum protection
- Adjustable Output voltage from 21.6-28.8V DC

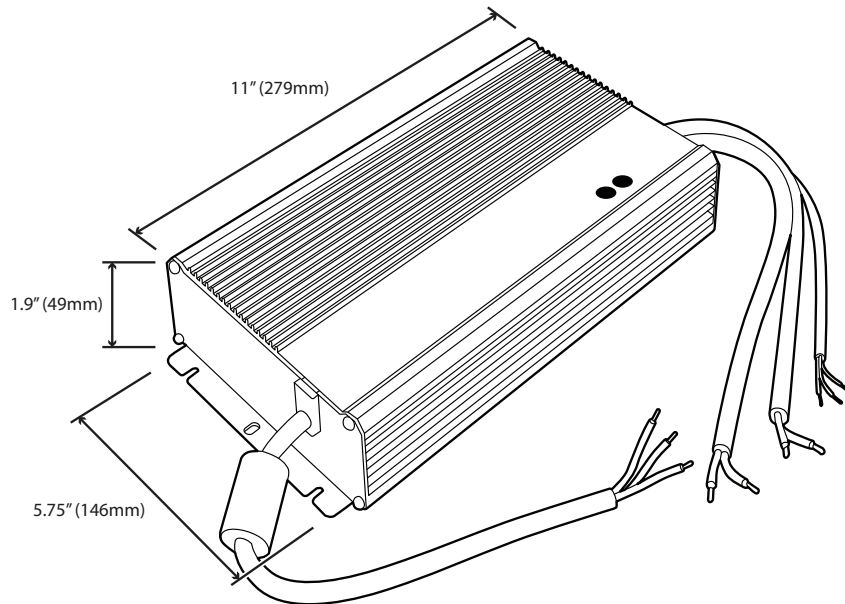
Quick Spec.

- **Dimmable:** No
- **Input Voltage:** 100-240VAC & 277VAC
- **Max Power:** 600W
- **Warranty:** 3 Years

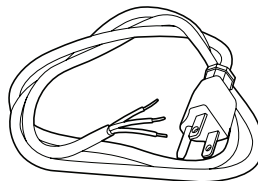
- **Weight:** 8.7 lb
- **Dimensions:** 11"x5.75"x1.9"
- **IP Rating:** IP65
- **Product Color:** Silver

- **Working Temp:** -4 - 185F
- **Certifications:** CE, RU

Technical Diagrams



Companion Products



5 Foot AC Power Cord
SKU: US AC Cord