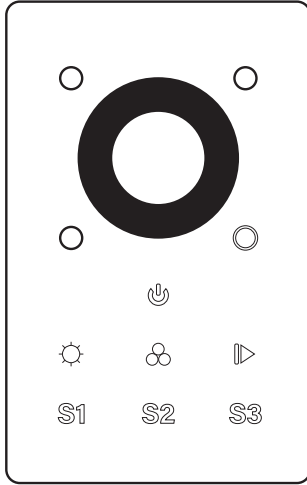


DATA SHEET

DUET DMX & WIRELESS RGB-W IN-WALL CONTROLLER

SKU: SA-CTRL-DMX-GLASS



Product Description

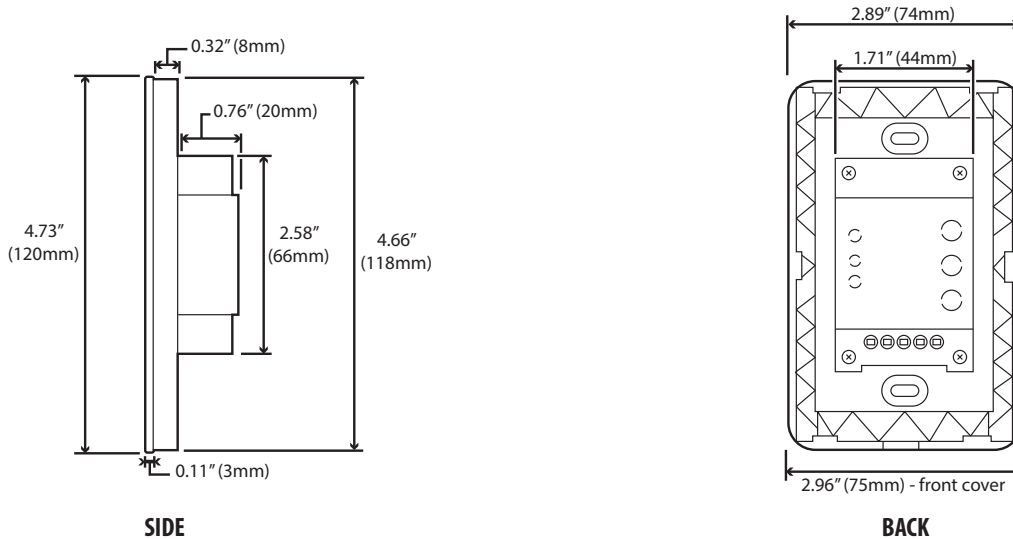
The Duet DMX & Wireless RGB-W In-Wall Controller brings full DMX or RGB-W control to your fingertips, while easily fitting in any standard US switch boxes. The elegant flat control surface and ivory white design suits any modern environment and includes a large range of easy to use controls. The Duet Controller is a 2 in 1 controller that lets you use either DMX through cable, or wireless RGB-W control using an optional RGB-W controller. For DMX control, the dimmer includes the outputs in the back of the unit for hard wiring. For wireless RGB-W control, the Duet Controller only needs to be paired with the RGB-W controller, no wires needed saving you time and energy. The Duet DMX & Wireless RGB-W In-Wall Controller runs on low 12V to 24V power and is the perfect combination with any of your LED projects. You can control brightness levels with a single touch, personalize and memorize up to 3 different colors, and even create 3 variations of white using any RGB-W LED Lighting system.

- 2 in 1 Controller: DMX Control or Wireless RGB-W
- Includes 10 Pre-loaded Programs
- Full Color Options, Dimming and Speed Control
- Touch Sensitive Glass Surface
- Easily Fits Standard US Switch Boxes
- 50 Foot Wireless Range
- Memory Function – Remembers Last Setting Even When the Power Goes Off
- Perfect for Controlling DMX or RGB-W Fixtures

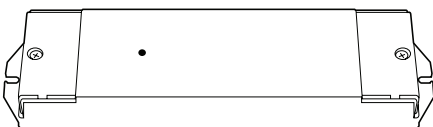
Quick Spec.

• Input Voltage: 12-24V DC	• Dimensions: 2.96"x1.19"x4.73"	• Product Color: Ivory White
• Max Power: RGB: 360W@24VDC, 180W@12VDC.	• IP Rating: IP33	• Working Temp: 25 - 140F
• Warranty: 3 Years	• Control System: DMX512 or RGB-W	• Certifications: CE, RoHs
• Weight: 0.50 lb	• RGB Channels: 4 channels	
	• DMX Channels: 512	

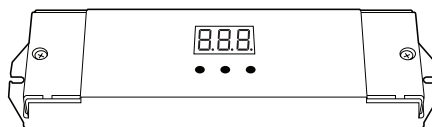
Technical Diagrams



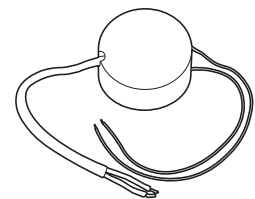
Companion Products



LEDWizard Wifi LED Controller
WIFI-RECEIVER



4 Channel DMX-RGB-W LED Controller
SA-CTRL-001-V2



In-Wall Power Supply 12V-DC-0.2A-9W
SKU: SA-PS-12V-0.2A-9W