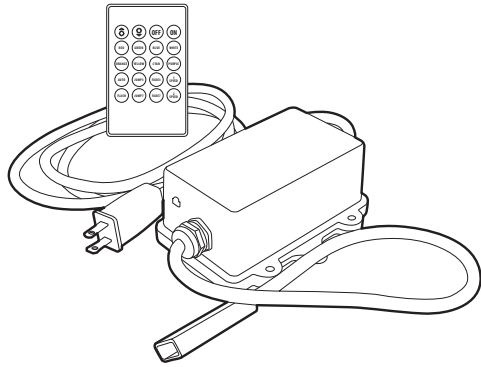


DATA SHEET

# 120V AC WATERPROOF RGB LED CONTROLLER FOR RGB DRIVERLESS LED STRIP LIGHT WITH IR REMOTE

SKU: SA-DLS-RGB-IR-REMOTE-CNTRL-IP65



## Product Description

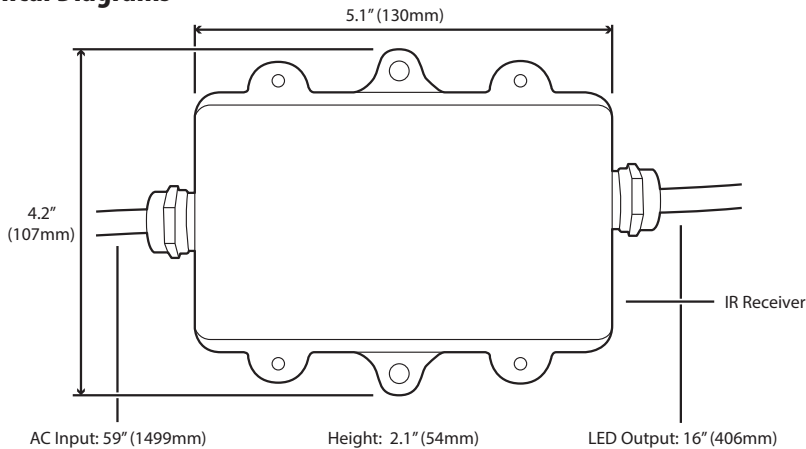
The 120V AC Waterproof Driverless RGB Controller with IR (Infrared) Remote has been created to easily bring color changing control and power to our Waterproof Driverless RGB LED Light Strips. One controller can power 165 continuous feet of RGB Driverless LEDs. With a waterproof rating of IP65, this controller can be used in outdoor and wet locations and is preinstalled with a four prong connector for our Waterproof Driverless RGB LED strips. Complete your connection with our Waterproofing Glue for end to end water resistance in your lighting projects. Each Controller includes an Infrared Remote allowing you to turn Driverless LED Strips on and off without unplugging, control brightness levels, and choose from eight beautiful static colors: red, green, blue, white, orange, yellow, cyan, and purple. Customize the look and feel by selecting from six color changing programs including fading, jumping, flashing, and more with two adjustable speeds.

- Easily Control 120V AC RGB Driverless LED Strips
- Includes an Infrared Remote
- Plugs in Directly to Any AC Outlet
- Power Up to 165 Feet of Driverless RGB Strips
- Easily turn RGB Driverless LED Strip On/Off without Unplugging
- Increase and Decrease Brightness Levels
- Choose from 8 Static Colors: Red, Blue, Green, White, Orange, Yellow, Cyan, and Purple
- 6 Color Changing Programs with 2 Adjustable Speeds
- Plug into Any Standard US Household Outlet
- Preinstalled RGB Prong Connector
- Water resistant with an IP65 rating

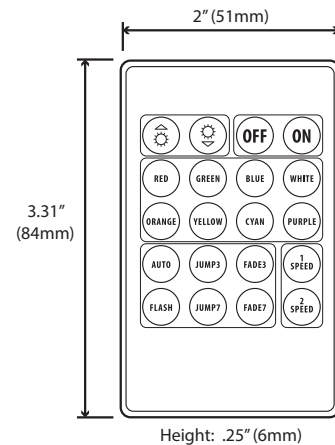
## Quick Spec.

• <b>Dimmable:</b>	Yes, by remote	• <b>Weight:</b>	1.9 lb	• <b>RGB Channels:</b>	3
• <b>Input Voltage:</b>	Controller: 120VAC	• <b>Dimensions:</b>	Remote: 3.31"x2"x0.25" Controller: 5.1"x4.2"x2.1"	• <b>Product Color:</b>	Gray and White
• <b>Max Power:</b>	Controller: 750W	• <b>IP Rating:</b>	IP65	• <b>Working Temp:</b>	-4 - 122F
• <b>Warranty:</b>	2 Years			• <b>Certifications:</b>	ETL, CE, RoHs

## Technical Diagrams

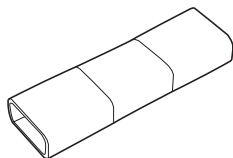


CONTROLLER TOP

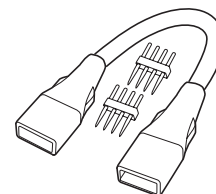


REMOTE FRONT

## Companion Products



**Silicone Joiner for Driverless RGB LED Strip Lights**  
SKU: SA-DLS-RGB-JOINER



**5' Interconnector Cable for Driverless RGB LED Strip Lights**  
SKU: SA-DLS-RGB-Interconnector-5in