

DATA SHEET

RGB-W RS-232 LED CONTROLLER

SKU: SA-CTRL-RS232

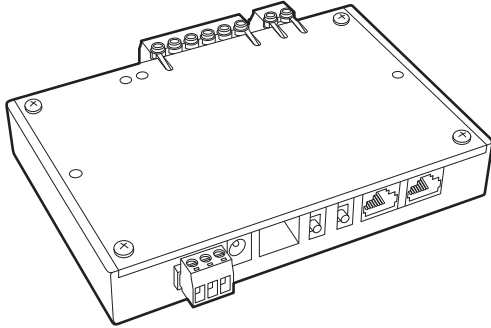
Product Description

The RS-232 controller is an expandable LED controller that interfaces with controllers using RS-232 serial commands. The RS-232 comes ready to control single color, RGB, and RGB-W lighting fixtures and includes built in color changing programs.

Thanks to its internal RGB-W 4 Channel Interface it's now very easy to control any color changing LED lights through RS-232 Interface. The controller includes a host of different features for expanding the system, from using LED lights, to controlling incandescent lights, to utilizing control from iPads and using relays to control the RS-232 controller.

The lightweight 3D printed composite body features a metal cover and is easy to use with simple screw down terminals and holes for mounting screws.

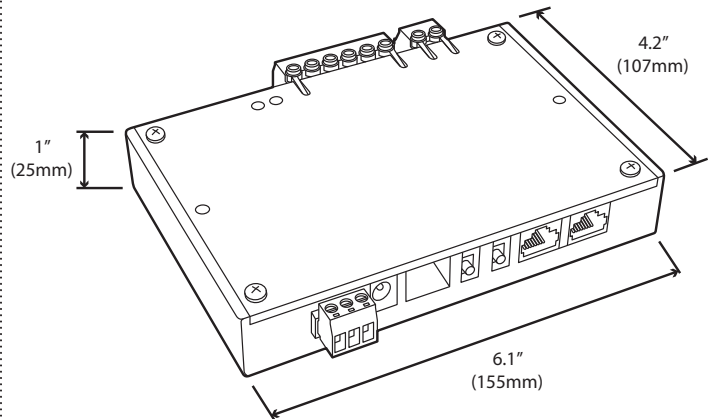
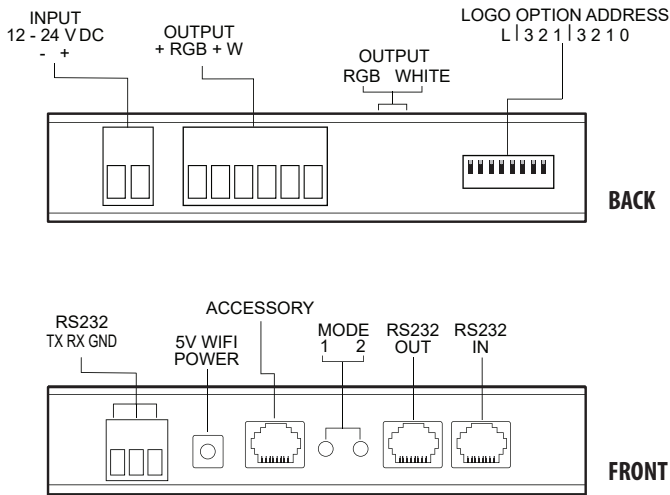
- Directly Use Software with RS-232 Connectors
- Control Single Colors, RGB and RGB-W Lights
- Control LED direct from 2-way RS-232 Serial Commands
- 4 Channels
- Built In Color Changing Light Scenes
- Expandable for Use with iPad, iPad Mini and Relays
- Reverse Polarity Protection
- Works with Magnetic Transformers
- Built In Memory Remembers Last Setting



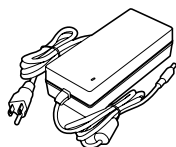
Quick Spec.

- | | | |
|--|---|--|
| • Input Voltage: 12-24V DC | • Dimensions: L:6.1", W:4.2", H:1" | • Product Material: Composite Housing |
| • Max Power: 672W@24V DC, 336W@12V DC | • IP Rating: IP20 | • Working Temp: -13° to 158° F |
| • Max Amp: 7A per Channel | • Control System: RGBW and RS-232 | • Certifications: CE, RoHs, |
| • Warranty: 3 Years | • RGB Channels: 3 | |
| • Weight: 0.7 lb | • Product Color: Black | |

Technical Diagrams



Companion Products



LED Power Supply 24V-DC-6.25A-150W
SKU: SA-PS-24V-6A-150W



Super Warm White ULTRA High CRI 2835 72W
SKU: SA-LS-ULTRA-SWW-2835-900-24V



RGB 5050 72W
SKU: SA-LS-RGB-5050-300-24V